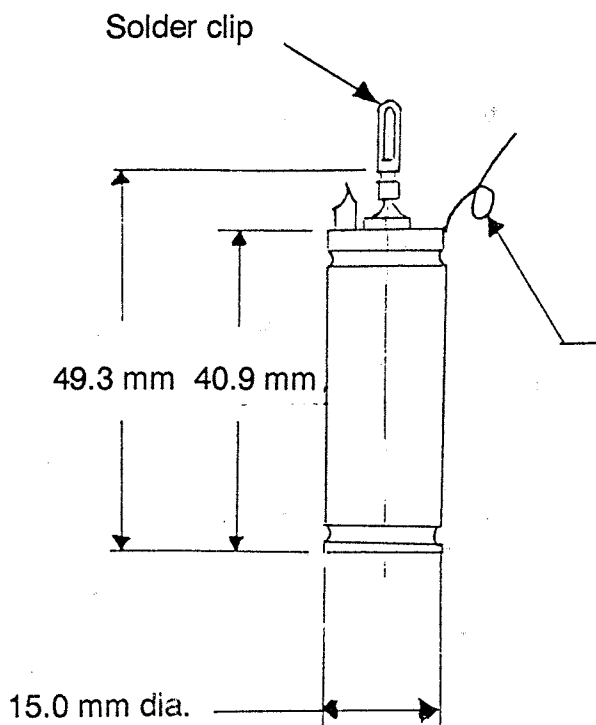


GEIGER MÜLLER TUBE TYPE 2121-1630-10

CL 11824

THIN WINDOW ALPHA, BETA, GAMMA DETECTOR



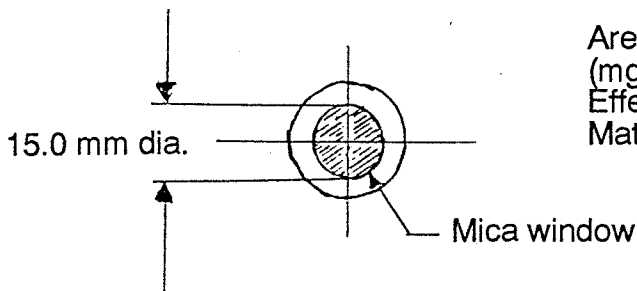
Ground lead

General specifications

| | |
|-----------------------------|-----------------------|
| Gas filling | : Neon + halogen |
| Cathode material | : 446 stainless steel |
| Maximum length | : 53.98 mm |
| Effective length | : 38.10 mm |
| Maximum diameter | : 14.99 mm |
| Connector | : Pin |
| Operating temperature range | : -40°C to 75°C |

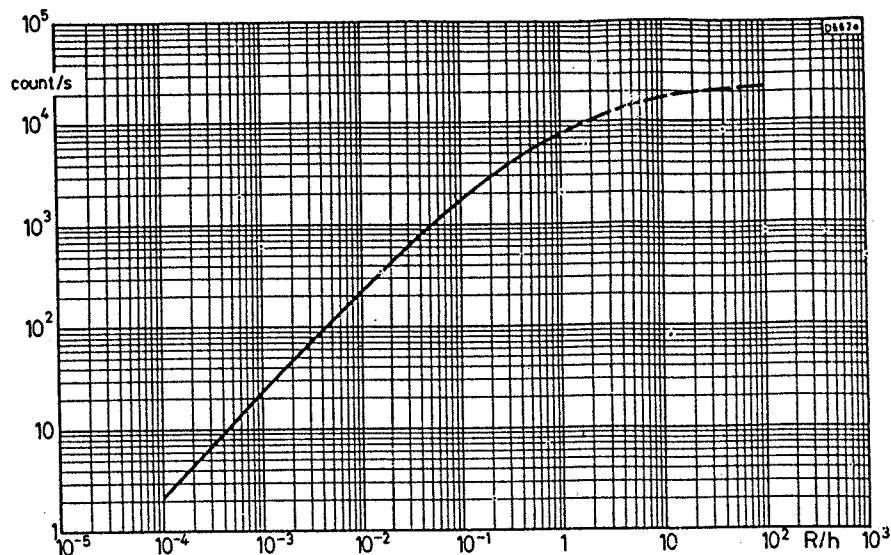
Window specifications

| | |
|-------------------------------------|-----------|
| Areal density (mg/cm ²) | : 1.5-2.0 |
| Effective dia. | : 9.14 mm |
| Material | : Mica |

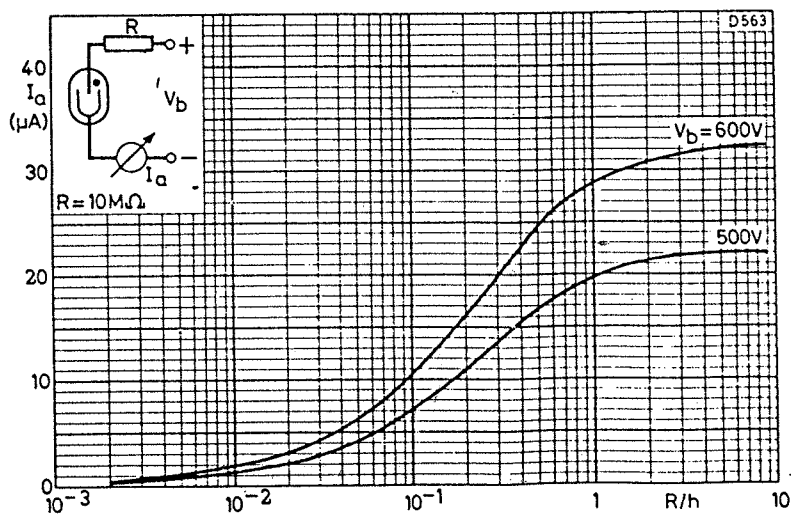


Electrical specifications

| | |
|--|-------------|
| Recommended anode resistor | : 10 Mohm |
| Maximum starting voltage | : 325 V |
| Recommended operating voltage | : 500 V |
| Operating voltage range | : 450-600 V |
| Maximum plateau slope (%/100V) | : 6 |
| Minimum dead time | : 90 US |
| Maximum background (shielded 50 mm Pb + 3 mm A1) | : 3 |
| Tube capacitance | : 3 PF |
| Weight | : 8 g |



Typical count rate as a function of dose rate (^{60}Co)
(through the side wall)



Typical current as a function of dose rate (^{60}Co)

CONATEX-DIDACTIC
Lehrmittel GmbH
Postfach 1407
Irgartenstraße 17
D-6680 Neunkirchen/Saar

Postanschlüsse :
Telefon : 0 68 21 / 2 60 15
Telefax : 0 68 21 / 2 42 40
Telex : 444851 CODID

Sitz der Gesellschaft : Neunkirchen
Amtsgericht Neunkirchen/Saar
HRB 1619
Geschäftsführer :
Dipl.-Ing. Horst Porschen

Bankverbindungen :
Deutsche Bank Neunkirchen
Kto. 7106321 (BLZ 590 700 70)
Postgiro Saarbrücken
Kto. 19454-668 (BLZ 590 100 66)