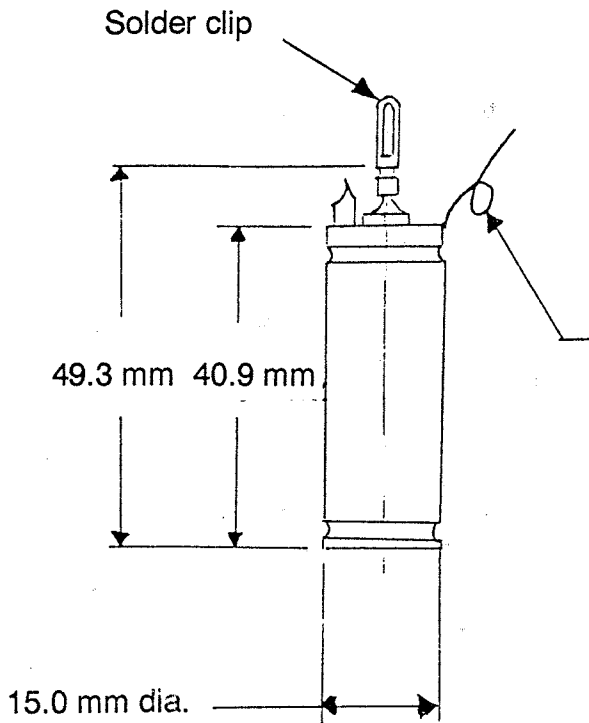


GEIGER MÜLLER TUBE TYPE 2121-1630-10

CL 11824

THIN WINDOW ALPHA, BETA, GAMMA DETECTOR

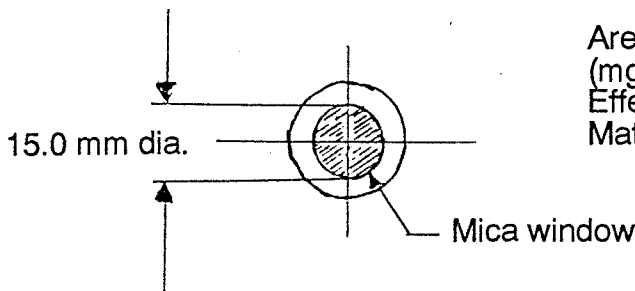


Ground lead

General specifications

Gas filling	: Neon + halogen
Cathode material	: 446 stainless steel
Maximum length	: 53.98 mm
Effective length	: 38.10 mm
Maximum diameter	: 14.99 mm
Connector	: Pin
Operating temperature range	: -40°C to 75°C

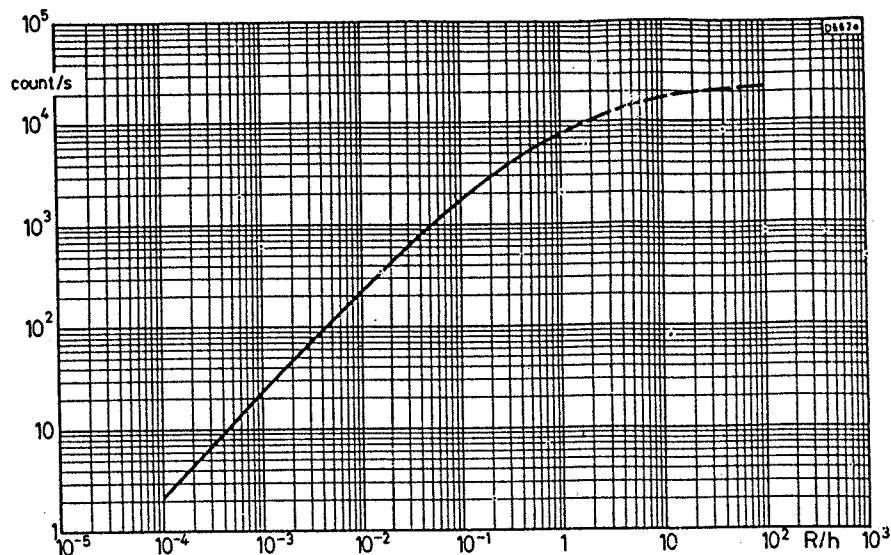
Window specifications



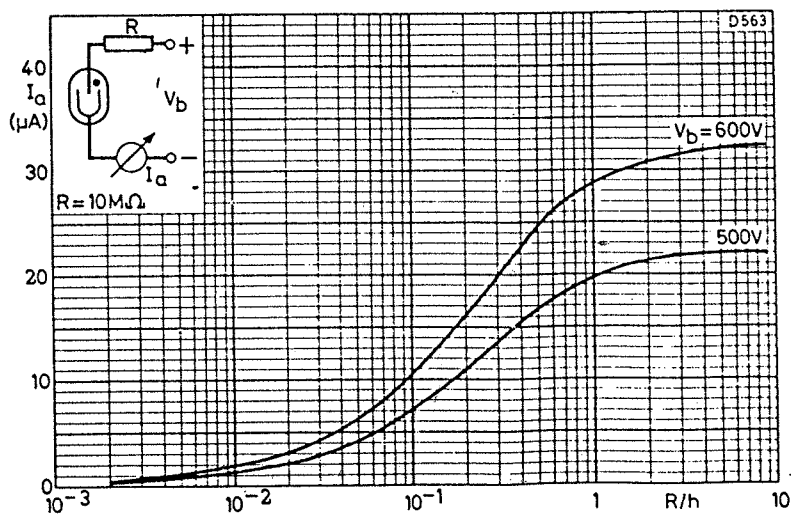
Areal density (mg/cm ²)	: 1.5-2.0
Effective dia.	: 9.14 mm
Material	: Mica

Electrical specifications

Recommended anode resistor	: 10 Mohm
Maximum starting voltage	: 325 V
Recommended operating voltage	: 500 V
Operating voltage range	: 450-600 V
Maximum plateau slope (%/100V)	: 6
Minimum dead time	: 90 US
Maximum background (shielded 50 mm Pb + 3 mm A1)	: 3
Tube capacitance	: 3 PF
Weight	: 8 g



Typical count rate as a function of dose rate (⁶⁰Co)
(through the side wall)



Typical current as a function of dose rate (⁶⁰Co)

CONATEX-DIDACTIC
Lehrmittel GmbH
Postfach 1407
Irgartenstraße 17
D-6680 Neunkirchen/Saar

Postanschlüsse :
Telefon : 0 68 21 / 2 60 15
Telefax : 0 68 21 / 2 42 40
Telex : 444851 CODID

Sitz der Gesellschaft : Neunkirchen
Amtsgericht Neunkirchen/Saar
HRB 1619
Geschäftsführer :
Dipl.-Ing. Horst Porschen

Bankverbindungen :
Deutsche Bank Neunkirchen
Kto. 7106321 (BLZ 590 700 70)
Postgiro Saarbrücken
Kto. 19454-668 (BLZ 590 100 66)