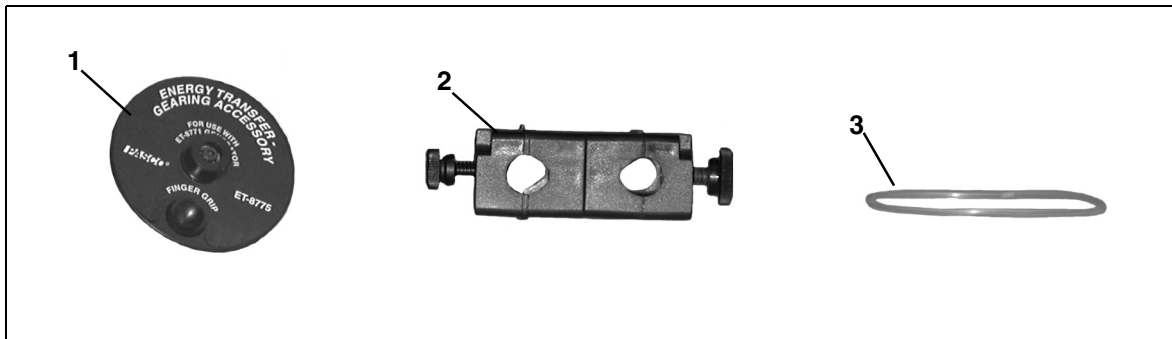


Energy Transfer - Gearing Accessory

Model No. ET-8775

Equipment List



Included Equipment	Replacement Model Number*
1. Gearing Accessory Pulley	003-08518
2. Rod clamp (1)	003-08574
3. O-ring	638-019

*Use Replacement Model Numbers to expedite replacement orders.

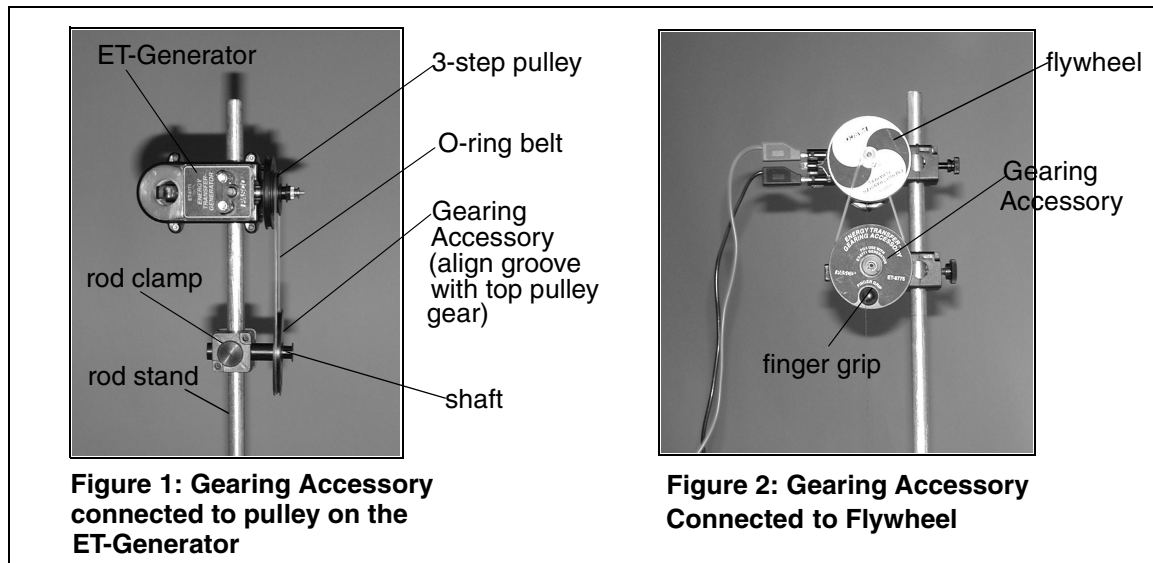
Additional Equipment Required	Replacement Model Number
ET-Generator	ET-8771
Rod Stand	ME-8735
Rod, 90 cm or more	ME-8738
ET-Flywheel	ET-8773
Computer interface (PASPORT™ or ScienceWorkshop®)	Various (See PASCO catalog)
DataStudio® software	Various (See PASCO catalog)
Voltage-Current Sensor	PS-2115 or CI-6503 with CI-6556
Hanging Mass Set	SE-8759

Introduction

The ET-Gearing Accessory (ET-8775) is used with the ET-Generator (ET-8771) for the study of gear ratios, power, and energy transfer. The finger grip in the accessory allows students to manually crank the gears. The Gearing Accessory can also be used with the ET-Flywheel Accessory (ET-8773) for the study of rotational kinetic energy.

Equipment Setup

Use the rod clamp provided to secure the Gearing Accessory to a rod stand. With the supplied O-ring belt, connect the Gearing Accessory to a pulley or flywheel. The screw on



the rod clamp can be loosened to move the Gearing Accessory horizontally for alignment with another pulley groove, etc. For load studies, a hanging mass on a thread can be attached to the shaft on the gear pulley. For suggested experiments and applications with the ET-8775 Gearing Accessory, see the manual provided with the ET-8771 Energy Transfer - Generator. Also see the instruction sheet provided with the ET-8773 Flywheel Accessory.

Technical Support

Address: PASCO scientific
 10101 Foothills Blvd.
 Roseville, CA 95747-7100

Phone: (916) 786-3800
 FAX: (916) 786-3292
 Web: www.pasco.com
 Email: techsupp@pasco.com