

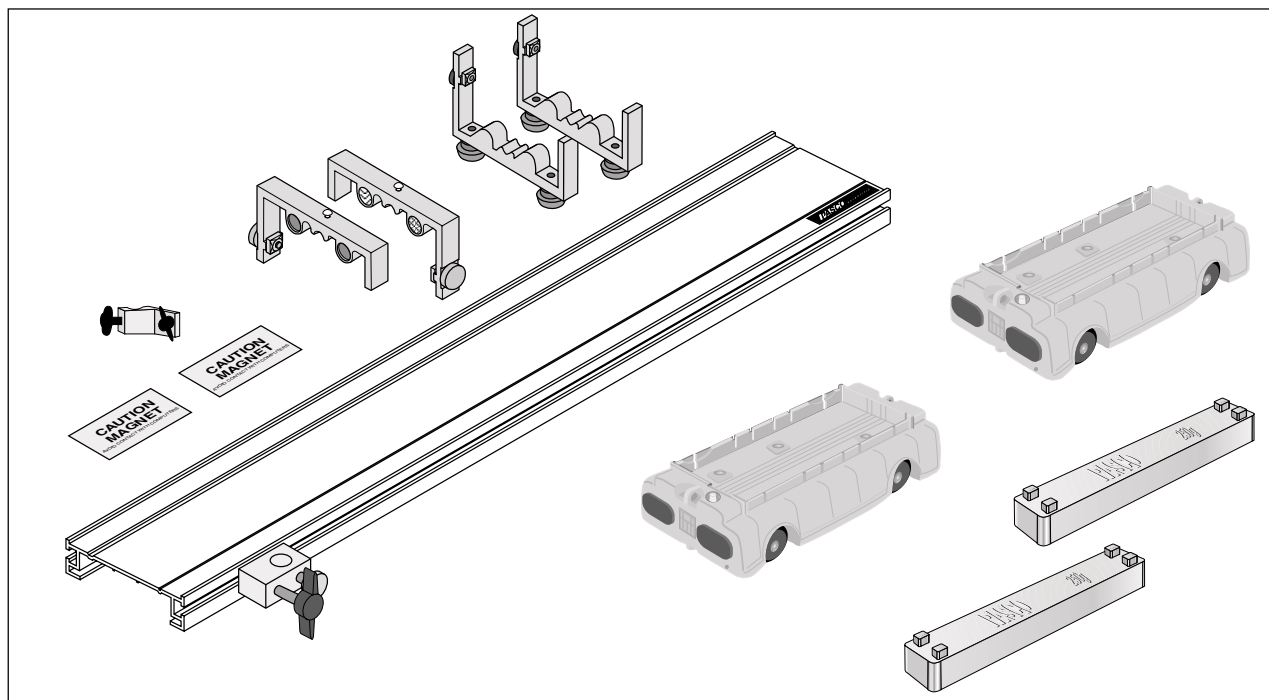
Includes
Teacher's Notes
and
Typical
Experiment Results



Instruction Manual and Experiment Guide for the PASCO scientific Model ME-6956

012-07558A
1/01

PAScar Accessory Track Set (2.2m version)



© 2000 PASCO scientific

\$10.00

Table of Contents

Section	Page
Copyright, Warranty, and Equipment Return	ii
Introduction	1
Equipment	2
Assembly	3
Using the Friction Block	5
Additional or Replacement Parts	6
Experiments	
Exp 1: Conservation of Momentum in Explosions	7
Exp 2: Conservation of Momentum in Collisions	9
Exp 3: Acceleration Down an Incline	11
*Exp 4: Simple Harmonic Oscillator	15
*Exp 5: Oscillations on an Incline	19
*Exp 6: Springs in Series and Parallel	23
*Exp 7: Newton's Second Law	26
*Exp 8: Newton's Second Law II.....	27
*Exp 9: Conservation of Energy	29
Additional Experiments	33
Teacher's Guide	35
Technical Support	Inside Back Cover

* The 2.2 PAScar Accessory Track Set and additional PASCO accessories are needed to perform these experiments.

Copyright, Warranty and Equipment Return

Please feel free to duplicate this manual subject to the copyright restrictions below.

Copyright Notice

The PASCO scientific *Model ME-6956 PASCar Accessory Track Set (2.2 Meter)* manual is copyrighted and all rights reserved. However, permission is granted to non-profit educational institutions for reproduction of any part of this manual, providing the reproductions are used only for their laboratories and are not sold for profit. Reproduction under any other circumstances, without the written consent of PASCO scientific, is prohibited.

Limited Warranty

PASCO scientific warrants this product to be free from defects in materials and workmanship for a period of one year from the date of shipment to the customer. PASCO will repair or replace, at its option, any part of the product which is deemed to be defective in material or workmanship. This warranty does not cover damage to the product caused by abuse or improper use. Determination of whether a product failure is the result of a manufacturing defect or improper use by the customer shall be made solely by PASCO scientific. Responsibility for the return of equipment for warranty repair belongs to the customer. Equipment must be properly packed to prevent damage and shipped postage or freight prepaid. (Damage caused by improper packing of the equipment for return shipment will not be covered by the warranty.) Shipping costs for returning the equipment, after repair, will be paid by PASCO scientific.

Credits

This manual authored by: Ann & John Hanks

Teacher's guide written by: Eric Ayars

Equipment Return

If this product needs to be returned to PASCO scientific, for whatever reason, notify PASCO scientific by letter or phone BEFORE returning the product. Upon notification, the return authorization and shipping instructions will be promptly issued.

NOTE: NO EQUIPMENT WILL BE ACCEPTED FOR RETURN WITHOUT AN AUTHORIZATION.

When returning equipment for repair, the units must be properly packed. Carriers will not accept responsibility for damage caused by improper packing. To be certain the unit will not be damaged in shipment, observe the following rules:

- The carton must be strong enough for the item shipped.
- Make certain there is at least two inches of packing material between any point on the apparatus and the inside walls of the carton.
- Make certain that the packing material cannot shift in the box, or become compressed, thus letting the instrument come in contact with the edge of the box.

Address: PASCO scientific
 10101 Foothills Blvd.
 P.O. Box 619011
 Roseville, CA 95678-9011

Phone: 1-800-772-8700 (toll-free in U.S.A.)
 or (916) 786-3800

FAX: (916) 786-3292

Introduction

The PASCO Model ME-6956 PAScar Accessory Track Set (2.2 meter version) enables the user to perform a wide variety of experiments. The track ensures easy setup and accurate alignment with the lowest possible friction, and it accommodates most linear motion experiments.

Features include:

- Adjustable leveling feet
- Low friction wheel slots keep the cars aligned even after a collision.
- Mounted to a standard lab rod, the track adjusts to any angle for inclined plane experiments.
- Durable construction with Adjustable End Stops protects the car.

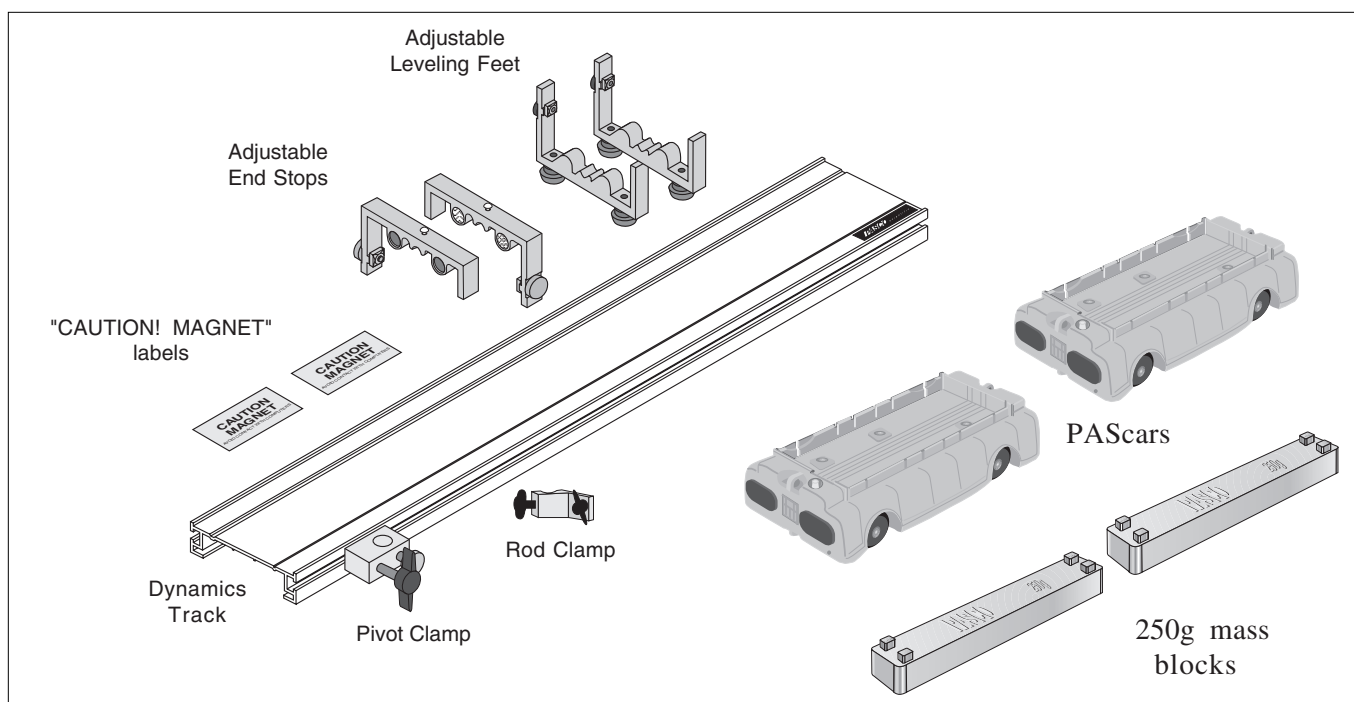
Equipment

The ME-6956 PAScar Accessory Track Set includes the following:

- Dynamics Track:
 - 2.2m (7.5') extruded aluminum track with alignment grooves in top surface
- 2 Adjustable End Stops [(with magnets and Velcro™ pads) (ME-9469)]

- 2 adjustable leveling feet (ME-9470)
- 2 PAScars (ME-6950)
- 1 Rod Clamp
- (2) 250-g mass blocks
- (2) Labels: “CAUTION! MAGNET”

NOTE: The End Stop has a round head screw on the top to allow easy attachment of springs, string, etc.



Additional Equipment Required (for specific experiments):

- Thread
- Mass Set (ME-9348)
- Harmonic springs (3) with storage tubes* (646-04445)
- Super Pulley with Clamp (ME-9448A)
- Base and Support Rod (ME-9355)
- Metric Ruler
- Stopwatch (SE-8702B)
- Mass Balance (SE-8723)
- Wooden or metal block
- Graph paper

Additional Equipment Required:

- IDS Photogates and Fences (ME-9471A)

Optional Equipment:

- Friction Block (003-04708)
- Pivot Clamp [for use with the Base and Support Rod (ME-9355)].
- Friction Pad Accessory (ME-6957)
- Discover Friction Accessory (ME-8574)
- Angle Indicator (ME-9495)

***NOTE:** A small piece of double-sided tape is attached to the ends of each storage tube so the tubes may be permanently attached to the underside of the Dynamics Track.

Assembly

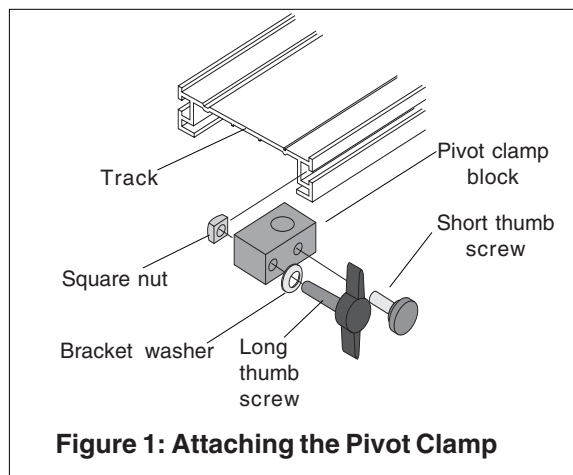
For assembly, you will need to attach the Pivot Clamp, leveling feet and Adjustable End Stop to the track. The PAScar comes pre-assembled with the wheel/axle components, magnetic bumpers, springs and the spring plunger bar. The wheel/axle assembly is replaceable (ME-6957). To replace the wheel/axle components, follows the instructions under “Replacing the Axles and Wheels” on page 5.

Attach the Pivot Clamp to the Track

1. Remove the Pivot Clamp Assembly from underneath the Dynamics Track.
2. Insert the long thumb screw through the hole in the Pivot Clamp Block and thread 1/2 to 3/4 turn into the hex nut.

NOTE: Observe the orientation of the Pivot Clamp Block. Also note that the flat side of the square nut must face the outside of the Dynamics Track (Figure 1).

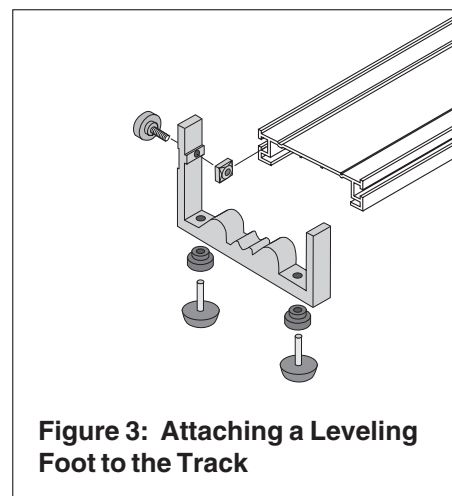
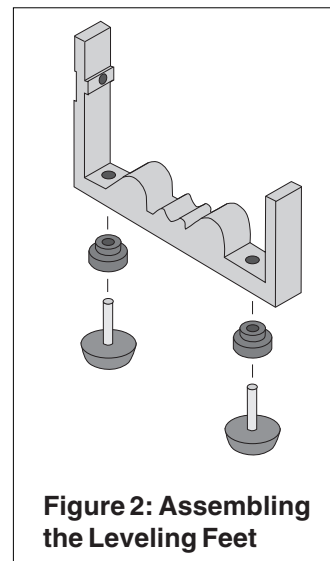
3. Align the square nut within the groove on the desired side of the Dynamics Track. Locate and adjust the Pivot Clamp to the desired position, and tighten the thumbscrew to secure.



Attach the Leveling Feet to the Track

The leveling feet serve three purposes: to level the track, to reduce any twist in the track, and to reduce any bow in the track. Assembly is as follows:

1. Thread a locking nut onto each of the four long screws (see Figure 2).
2. Thread two of the long screws through the two holes in the bottom of each aluminum leveling foot. The heads of these screws form the feet which rest on the table when the track is in use.
3. Place the washer on the short screw, and insert the short screw through the hole in the side of the aluminum leveling foot (see Figure 3). Screw the square nut onto the end of the short screw just far enough to keep the short screw from falling out.



- Align the square nut within the groove on the desired side of the Dynamics Track. Slide the leveling foot down the track to the desired position. To minimize the bow in the track, place a leveling foot about $1/4$ of the track length from each end of the track (see Figure 4).
- To level the track, place a car on the track to see which way it rolls. Loosen the lock nuts. Turn

the leveling screws up or down to change the height of one end of the track until the car placed at rest stays at rest. When the track is level, tighten the lock nuts against the aluminum foot.

- To take some twist out of the track, adjust the leveling screws on the side of the track.

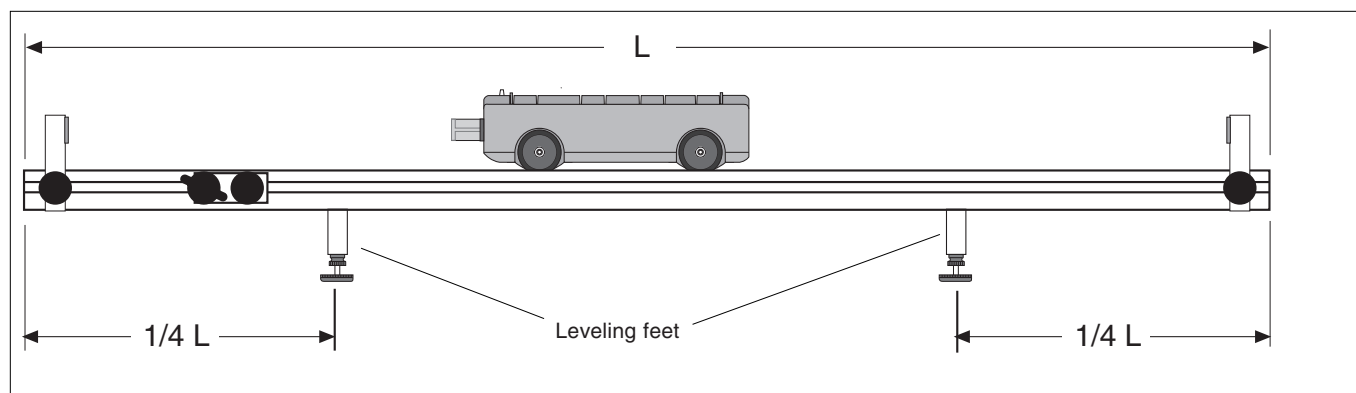


Figure 4: Optimum Position of Leveling Feet

Attach the Adjustable End Stop to the Track

The Adjustable End Stop can be used at any point on the track as a bumper. Either the plunger bar on the car or the car's magnetic bumper can be used to rebound off the end stop because the end stop contains magnets. The car can also be stopped against the end stop when the Velcro end of the car hits the Velcro side of the end stop. This is useful for keeping the car from rebounding. There is also a post on top of the end stop to allow a string or spring to be attached. Assembly is as follows:

- The Adjustable End Stop Assembly consists of the end stop with two magnets installed, a black plastic thumb screw, and a square nut.
- It is best to install the end stops in the groove opposite to the side being used for the leveling feet, so the end stops can slide past the feet without interference.
- Align the square nut within the groove on the desired side of the Dynamics Track (Figure 5). Locate and adjust the end stop to the desired position and tighten the thumb screw to secure.

- When storing the end stop, such as when it is not on the track, keep it away from computers. Remember that the end stop has two strong magnets in it.

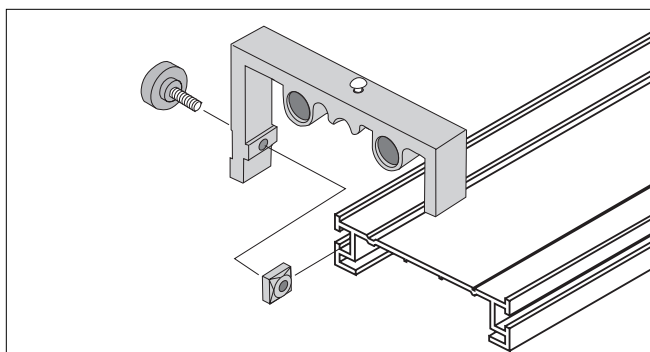


Figure 5: Attaching the Adjustable End Stop to the Track

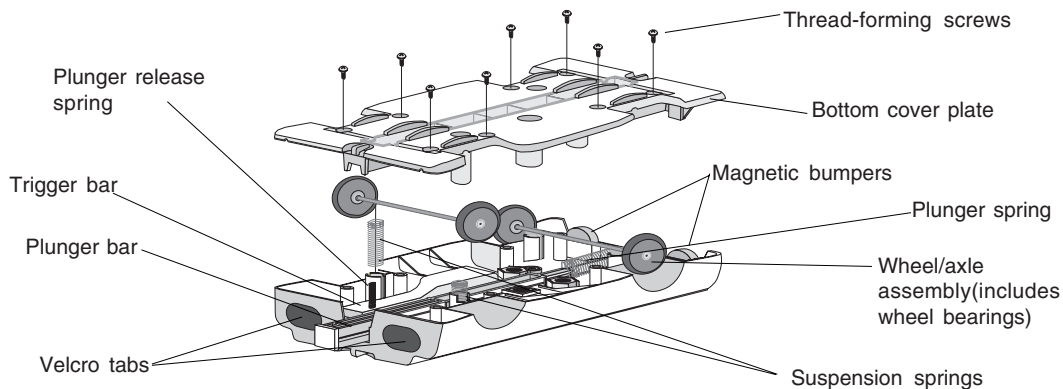


Figure 6: Components of the PAScar (Model ME-6950)

Replacing the Wheel-Axle Assemblies

- Using a Philips screwdriver, loosen the screws and remove the bottom cover plate.

NOTE: A #1 Phillips point screw driver is required for removing the thread-forming screws on the bottom of the car.

- With the car on a stable support, gently lift the wheel assemblies from the frame.

NOTE: Be sure to keep the components, such as the spring, plunger, nuts and magnets in their proper orientation (Figure 6). Rearranging or moving these items could change the operational capability of the PAScar.

- Place the new wheel/axle assemblies over the suspension springs.

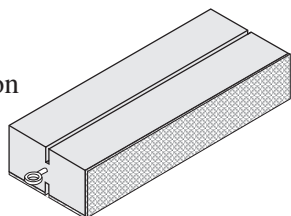
- Place the bottom plastic cover over the wheel/axle assemblies, such that the vertical grooves on the cover align over the axles. Align the bottom cover flush with the frame.

NOTE: When replacing the cover, be careful not to knock the plunger release spring or the plunger spring from their holding places. Replace the screws, and tighten them until the cover snugly fits against the outside frame.

Using the Friction Block

The Friction Block is a wood rectangle that fits neatly on top of the PAScar (ME-6950).

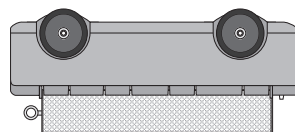
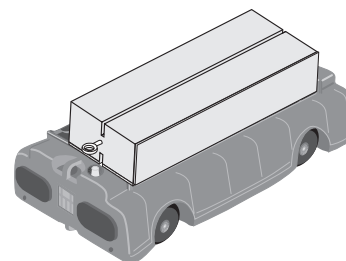
In experiments that use the Friction Block, you will investigate some of the properties of sliding friction - the force that resists the sliding motion of two objects when they are already in motion.



The top and bottom surfaces of the Friction Block have a slot which allows a “picket fence” to be inserted. (See the PASCO catalog.)

An eye screw is provided so that you may easily attach a string to the block.

The exposed wood on the top and one side of the block produces minimal friction. Felt pads attached to the bottom surface and the other side provide more friction. Mass can be placed on the top surface of the Friction Block.



Additional or Replacement Parts

Description	Part No.	Qty
Adjustable End Stop	ME-9469	2
Angle Indicator	ME-9495	1
Base plate	648-04651	1
Discover Friction Accessory	ME-8574	1
Friction Block	003-04708	1
Harmonic springs	632-04978	3
Label, Magnet Caution	646-04445	1
Leveling Feet	ME-9470	2
Magnetic bumper	003-07399	1
Pivot Clamp Assembly:	003-05019	1
-Pivot clamp	648-04654	1
-Long thumb screw	610-183 & 620-047	1
-Short thumb screw	610-181 & 620-067	1
-Washer	615-184	1
-Square nut	614-054	1
Plunger bar catch cover	699-04658	1
Plunger bar knob assembly		
-Screw (10-32x1/4 socket cap)	610-179	1
-Knob	620-033	1
Plunger release spring	632-048	1
Plunger spring	632-07369	1
Super Pulley with Clamp	ME-9448A	1
Suspension spring	632-034	4
Thread-forming screws	611-032	8
Velcro tab, 1/2 inch loop	616-074	1
Velcro tab, 1/2 inch hook	616-075	1
Wheel/Axle Set	ME-6957	4
250 g mass	648-07413	2
500 g mass	648-04636	1

Experiment 1: Conservation of Momentum in Explosions

EQUIPMENT NEEDED:

- 2 PAScars with Mass (ME-6950)
- Dynamics Track
- Meter stick*
- Mass balance (SE-8723)*

*Not included in Track Set

Purpose

The purpose of this experiment is to demonstrate conservation of momentum for two cars pushing away from each other.

Theory

$$p = m_1 v_1 - m_2 v_2 = 0$$

When two cars push away from each other and no net force exists, the total momentum of both cars is conserved. Because the system is initially at rest, the final momentum of the two cars must be equal in magnitude and opposite in direction, so that the resulting total momentum of the system is still zero.

Therefore, the ratio of the final speeds of the cars is equal to the ratio of the masses of the cars.

$$\frac{v_1}{v_2} = \frac{m_2}{m_1}$$

To simplify this experiment, choose the starting point for the cars at rest, so that the two cars reach the end of the track simultaneously. To determine the speed, the distance divided by the time, measure the distance traveled, since the time traveled by each car is the same.

$$\frac{v_1}{v_2} = \frac{\frac{\Delta x_1}{\Delta t}}{\frac{\Delta x_2}{\Delta t}} = \frac{\Delta x_1}{\Delta x_2}$$

The ratio of the distances is equal to the ratio of the masses:

$$\frac{\Delta x_1}{\Delta x_2} = \frac{m_2}{m_1}$$

Procedure

1. Level the track by setting a car on the track to see which way it rolls. Adjust the leveling feet to raise or lower the ends until a car placed at rest on the track will not move.
2. For each of the following cases, place the two cars against each other with the plunger of the PAScar pushed completely in and latched in its maximum position (see Figure 1.1).

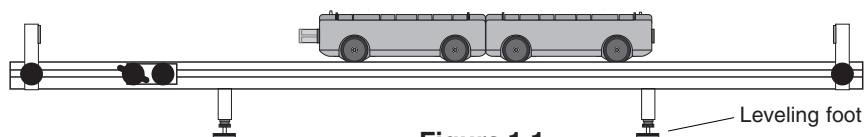


Figure 1.1

- Push the plunger release button with a short stick and watch the two cars move to the ends of the track. Experiment with different starting positions until the two cars reach their respective ends of the track at the same time. Then weigh the two cars and record the masses and the starting position in Table 1.1.

CASE 1: CARS OF EQUAL MASS (Use two cars without any additional mass bars.)

CASE 2: CARS OF UNEQUAL MASS (Put one mass bar in one car, none in the other.)

CASE 3: CARS OF UNEQUAL MASS (Put two mass bars in one car, none in the other.)

CASE 4: CARS OF UNEQUAL MASS (Put two mass bars in one car, one mass bar in the other.)

Table 1.1

Mass 1	Mass 2	Position	x_1	x_2	x_1/x_2	m_2/m_1

Data Analysis

- For each of the cases, calculate the distances traveled from the starting position to the end of the track. Record the result in Table 1.1.
- Calculate the ratio of the distances traveled and record in the table.
- Calculate the ratio of the masses and record in the table.

Questions

- Does the ratio of the distances equal the ratio of the masses in each of the cases? In other words, is momentum conserved?
- When cars of unequal masses push away from each other, which car has more momentum?
- When the cars of unequal masses push away from each other, which car has more kinetic energy?
- Is the starting position dependent on which car has its plunger cocked? Why?

Experiment 2: Conservation of Momentum in Collisions

EQUIPMENT NEEDED:

- 2 PAScars with Mass (ME-6950)
- (2) Bumper magnet set (installed)
- Dynamics Track
- Paper*

*Not included in Track Set

Purpose

The purpose of this experiment is to qualitatively explore conservation of momentum for elastic and inelastic collisions.

Theory

When two cars collide with each other, the total momentum $p=mv$ of both cars is conserved, regardless of the type of collision. An elastic collision is one in which the two cars bounce off each other with no loss of kinetic energy. In this experiment, magnetic bumpers are used to minimize the energy losses due to friction during the collision. In reality, this “elastic” collision is slightly inelastic. A completely inelastic collision is one in which the two cars hit and stick to each other. In this experiment, this is accomplished with the Velcro pads on the ends of the cars.

Procedure

1. Level the track by setting a car on the track to see which way it rolls. Adjust the leveling feet at the end of the track to raise or lower that end until a car placed at rest on the track will not move.
2. Draw two diagrams (one for before the collision and one for after the collision) for each of the following cases. In each diagram, show a velocity vector for each car with a length that approximately represents the relative speed of the car.

Part I: Elastic Collisions

A. Cars with Equal Mass

Orient the two cars so their magnetic bumpers are toward each other.

- Case 1:** Place one car at rest in the middle of the track. Give the other car an initial velocity toward the car at rest.
- Case 2:** Start the cars with one at each end of the track. Give each car approximately the same velocity toward each other.
- Case 3:** Start both cars at one end of the track. Give the first car a slow velocity and the second car a faster velocity, so that the second car catches the first car.

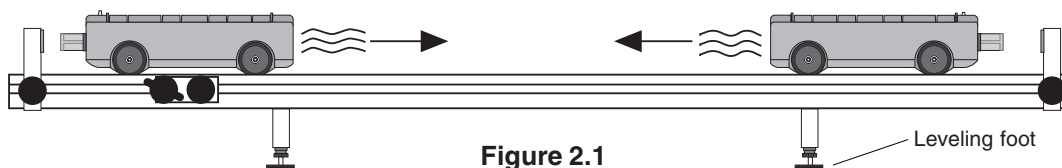


Figure 2.1

B. Cars with Unequal Mass

Put two mass bars in one of the cars so that the mass of one car is approximately three times the mass ($3M$) of the other car ($1M$).

Case 1: Place the $3M$ car at rest in the middle of the track. Give the other car an initial velocity toward the car at rest.

Case 2: Place the $1M$ car at rest in the middle of the track. Give the $3M$ car an initial velocity toward the car at rest.

Case 3: Start the cars with one at each end of the track. Give each car approximately the same velocity toward each other.

Case 4: Start both cars at one end of the track. Give the first car a slow velocity and the second car a faster velocity, so that the second car catches the first car. Do this for both cases: first with the $1M$ car, and then first with the $3M$ car.

Part II: Completely Inelastic Collisions

3. Orient the two cars so that the ends with the Velcro tabs are toward each other. Make sure the plunger bar is completely pushed in so it won't interfere with the collision.
4. Repeat the same procedures listed in **Part I** for cars with equal mass **and** cars with unequal mass.

Questions

1. When two cars having the same mass and the same speed collide and stick together, they stop. What happened to each car's momentum? Is momentum conserved?
2. When two cars having the same mass and the same speed collide and bounce off of each other elastically, what is the final total momentum of the cars?

Experiment 3: Acceleration Down an Incline

EQUIPMENT NEEDED:

- | | |
|-----------------------------------|------------------|
| – PAScar with Mass (ME-6950) | – Dynamics Track |
| – Base and support rod (ME-9355)* | – Meter stick* |
| – Stopwatch (SE-8702B)* | – Graph paper* |

*Not included in Track Set

Purpose

The purpose is to study how the acceleration of an object down an incline depends on the angle of the incline and to obtain the acceleration due to gravity.

Theory

A car on an incline will roll down the incline as it is pulled by gravity. The acceleration due to gravity is straight down (See Figure 3.1). The component of gravity which is parallel to the inclined surface is $g \sin\theta$, so this is the net acceleration of the car, neglecting friction.

To measure the acceleration, the car will be started from rest and the time (t) it takes for it to travel a certain distance (d) will be measured. Then since $d = (1/2)at^2$, the acceleration can be calculated using

$$a = \frac{2d}{t^2}$$

Then a plot of acceleration versus $\sin\theta$ should give a straight line with a slope equal to the acceleration due to gravity, g .

Procedure

1. Set up the track as shown in Figure 3.2, raising the end of the track without an end stop about 10 cm.
2. Set the car on the track against the end stop and record this final position of the car at the top of Table 3.1.
3. Pull the car up to the top of the track and record the initial position where the car will be released from rest.
4. Release the car from rest and use the stopwatch to time how long it takes the car to hit the end stop. The person who releases the car should also operate the stopwatch. Repeat this measurement 10 times (with different people doing the timing). Record all the values in Table 3.1.
5. Lower the end of the track by 1 cm and measure the time 10 times.
6. Repeat the experiment for a total of 7 angles, lowering the track in increments of 1 cm for each new angle.

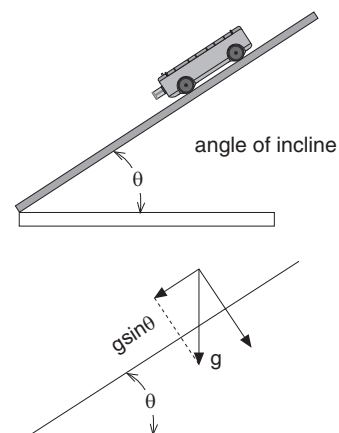


Figure 3.1

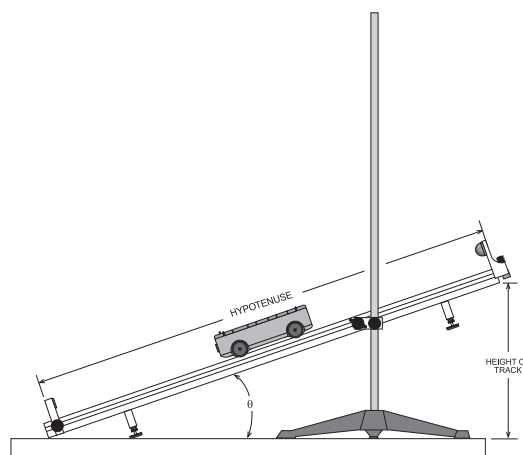


Figure 3.2 Equipment Setup

Table 3.1

		Height of Track						
		10 cm	9 cm	8 cm	7 cm	6 cm	5 cm	4 cm
Time	Trial 1							
	Trial 2							
	Trial 3							
	Trial 4							
	Trial 5							
	Trial 6							
	Trial 7							
	Trial 8							
	Trial 9							
	Trial 10							
	Average							

Initial position of car = _____

Final position of car = _____

Total distance (d) = _____

Data Analysis

1. Calculate the average time for each angle.
2. Calculate the total distance traveled by taking the difference between the initial and final positions of the car, as given at the top of Table 3.1.
3. Calculate the accelerations using the distance and times and record in Table 3.2.
4. Measure the hypotenuse of the triangle formed by the track and use this to calculate $\sin\theta$ Table 3.2 for each of the heights.

Table 3.2

Height	Acceleration	$\sin \theta$

Hypotenuse = _____

5. Plot acceleration versus $\sin \theta$. Draw the best-fit straight line and calculate its slope.

(This slope should equal g .) Calculate the percent difference between the slope and g .

slope = _____

% difference = _____

Questions

1. Does your reaction time cause a greater percentage error for higher or lower angles?
2. If the mass of the car is doubled, how are the results affected? Try it.

Notes

Experiment 4: Simple Harmonic Oscillator

EQUIPMENT NEEDED:

- | | |
|--|---|
| <ul style="list-style-type: none"> – PAScar with Mass (ME-6950) – (2) Springs* (646-04445) – Mass hanger and mass set (ME-9348)* – String* – Graph paper* | <ul style="list-style-type: none"> – Dynamics Track – Super Pulley with Clamp (ME-9448A)* – Stopwatch (SE-8702B)* – Mass balance (SE-8723)* |
|--|---|

*Not included in Track Set

Purpose

The purpose is to measure the period of oscillation of a spring and mass system and compare it to the theoretical value.

Theory

For a mass attached to a spring, the theoretical period of oscillation is given by

$$T = 2\pi\sqrt{\frac{m}{k}}$$

where **T** is the time for one complete back-and-forth motion, **m** is the mass that is oscillating, and **k** is the spring constant.

According to Hooke's Law, the force exerted by the spring is proportional to the distance the spring is compressed or stretched, $F = kx$, where **k** is the proportionality constant. Thus, the spring constant can be experimentally determined by applying different forces to stretch the spring different distances. When you plot the force versus the distance, the slope of the resulting straight line is equal to **k**.

Measurements to Find the Theoretical Period

Procedure

1. Use the balance to find the mass of the car. Record this value at the top of Table 4.1.
2. Level the track by setting the car on the track to see which way it rolls. Adjust the leveling feet at the ends of the track to raise or lower the ends until the car placed at rest on the track will not move. Put the pulley with the table clamp at one end of the track.
3. Set the car on the track, and attach a spring to each end of the car by inserting the end of the spring in the hole provided in the car. Then attach the other ends of the springs to the endstops (See Figure 4.1).
4. Attach a string to the end of the car, and hang a mass hanger over the pulley as shown.
5. Record the equilibrium position in Table 4.1.
6. Add mass to the mass hanger and record the new position. Repeat this for a total of 5 different masses, being careful not to overstretch the springs. Because both springs are acting on the mass, this method will give the effective spring constant for both springs.

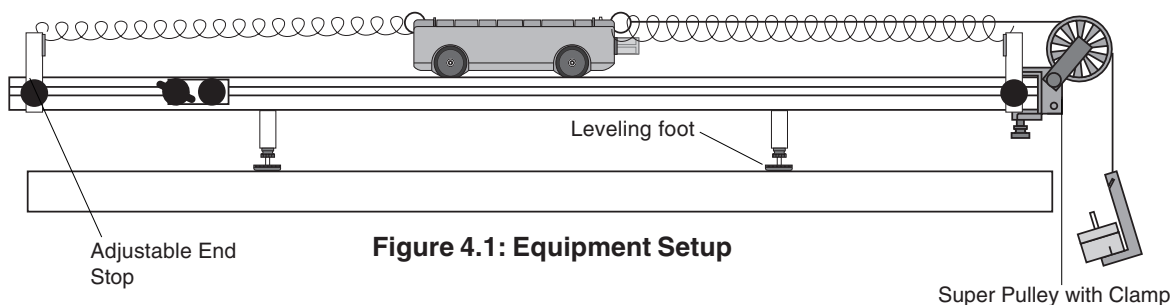


Figure 4.1: Equipment Setup

Data and Analysis

Table 4.1

Mass of car = _____

Equilibrium position = _____

Added Mass	Position	Displacement from Equilibrium	Force (mg)

Measuring the Experimental Period

7. Displace the car from equilibrium a specific distance and let it go. Time 5 oscillations and record the time in Table 4.2.
8. Repeat this measurement at least 5 times, using the same initial displacement (amplitude).
9. Add a 500 g mass to the car. Measure the time for 5 oscillations 5 times and record this data in Table 4.2.

Calculations

Theoretical Period

1. Using the data in Table 4.1, plot force versus displacement. Draw the best-fit straight line through the data points and determine the slope of the line. The slope is equal to the effective spring constant, **k**.

$k =$ _____

2. Using the mass of the car and the spring constant, calculate the period using the theoretical formula. Also calculate the theoretical period for the car with the 500 g mass in it.

(car alone) $T =$ _____

(car with mass) $T =$ _____**Experimental Period**

- Using the data in Table 4.2, calculate the average time for 5 oscillations with and without the 500 g mass in the car.
- Calculate the period by dividing these times by 5. Record the periods in Table 4.2.

Table 4.2

Trial	Time for 5 Oscillations	Period
1		Without additional mass= _____
2		
3		
4		
5		
Average		
1		With additional mass= _____
2		
3		
4		
5		
Average		

Comparison

Calculate the percent difference between the measured and theoretical values:

(car alone) % difference = _____

(car with mass) % difference = _____

Questions

- Does the period of oscillation increase or decrease as the mass is increased? Does a more massive car oscillate faster or slower?
- If the initial displacement from equilibrium (amplitude) is changed, does the period of oscillation change? Try it.

Notes

Experiment 5: Oscillations on an Incline

EQUIPMENT NEEDED:

- | | |
|---|---|
| <ul style="list-style-type: none"> – PAScar with Mass (ME-6950) – Spring (646-04445)* – Base and support rod (ME-9355)* – Mass balance (SE-8723)* | <ul style="list-style-type: none"> – Dynamics Track with End Stop and Pivot Clamp – Mass hanger and mass set (ME-9348)* – Stopwatch (SE-8702)* |
|---|---|

Purpose

*Not included in Track Set

The purpose is to measure the period of oscillation of a spring and mass system on an incline at different angles and compare it to the theoretical value.

Theory

For a mass attached to a spring, the theoretical period of oscillation is given by

$$T = 2\pi\sqrt{\frac{m}{k}}$$

where **T** is the time for one complete back-and-forth motion, **m** is the mass that is oscillating, and **k** is the spring constant.

According to Hooke's Law, the force exerted by the spring is proportional to the distance the spring is compressed or stretched, $\mathbf{F} = \mathbf{kx}$, where **k** is the proportionality constant. The spring constant can be experimentally determined by applying different forces to stretch the spring different distances. When you plot the force versus distance, the slope of the resulting straight line is equal to **k**.

Measurements to Find the Theoretical Period

Procedure

1. Use the balance to find the mass of the car. Record this value at the top of Table 5.1.
2. Set the car on the track and attach a spring to one end of the car by inserting the end of the spring in the hole provided in the car. Then attach the other end of the spring to the end of the track (See Figure 5.1).
3. Incline the track by raising the end of the track that has the spring attached. As the end of the track is raised, the spring will stretch. Keep the angle of inclination of the track small enough so the spring is not stretched more than half the length of the track. Measure this angle and record it at the top of Table 5.1.
4. Record the equilibrium position in Table 5.1.
5. Add mass to the car and record the new position. Repeat this for a total of 5 different masses, being careful not to overstretch the spring.

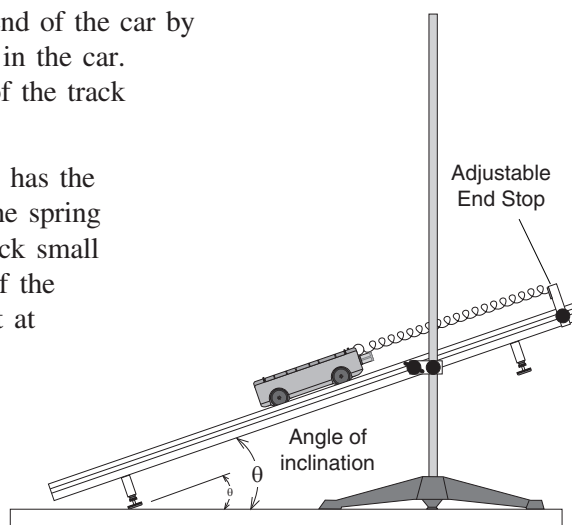


Figure 5.1 Equipment Setup

Equilibrium position = _____

Mass of car = _____

Angle of incline = _____

Table 5.1

Added Mass	Position	Displacement from Equilibrium	Force ($mg \sin\theta$)

Measuring the Experimental Period

6. Displace the car from equilibrium a specific distance and let it go. Time 3 oscillations and record the time in Table 5.2.
7. Repeat this measurement at least 5 times, using the same initial displacement (amplitude).
8. Change the angle of the incline and repeat steps 6 and 7.

Calculations

Theoretical Period

1. Using the data in Table 5.1, calculate the force caused by the additional mass in the car: $F = mg \sin\theta$, where θ is the angle of incline. Plot force versus displacement. Draw the best-fit straight line through the data points and determine the slope of the line. The slope is equal to the effective spring constant, k .

$k =$ _____

2. Using the mass of the car and the spring constant, calculate the period using the theoretical formula.

$T =$ _____

Table 5.2**Time for 3 oscillations**

Angle	Trial 1	2	3	4	5	Avg	Period

Experimental Period

- Using the data in Table 5.2, calculate the average time for 3 oscillations.
- Calculate the period by dividing these times by 3 and record the periods in Table 5.2.

Questions

- Does the period vary as the angle is changed?
- How do the experimental values compare with the theoretical values?
- Does the equilibrium position change as the angle is changed?
- What would be the period if the angle was 90 degrees?

Notes

Experiment 6: Springs in Series and Parallel

EQUIPMENT NEEDED:

- | | |
|--|---|
| <ul style="list-style-type: none"> – PAScar with Mass (ME-6950) – Dynamics Track with End Stop – (2) Springs (646-04445)* | <ul style="list-style-type: none"> – Base and support rod (ME-9355)* – Mass balance (SE-8723)* – Stopwatch (SE-8702B)* |
|--|---|

*Not included in Track Set

Purpose

The purpose is to measure the period of oscillation of springs in series and parallel and compare it to the period of oscillation of one spring.

Theory

For a mass attached to a spring, the theoretical period of oscillation is given by

$$T = 2\pi\sqrt{\frac{m}{k}}$$

where **T** is the time for one complete back-and-forth motion, **m** is the mass that is oscillating, and **k** is the spring constant. If the period of oscillation is measured, the spring constant can be determined:

$$k = \frac{4\pi^2 m}{T^2}$$

When two springs are combined in series or in parallel, the spring constants add in different ways. One possible way to add two spring constants is $k_{effective} = k + k = 2k$.

Another way is

$$K_{effective} = \frac{1}{k} + \frac{1}{k} = \frac{2}{k}$$

which means that

$$k_{effective} = \frac{1}{2}k$$

Measuring *k* For a Single Spring

Procedure

1. Use the balance to find the mass of the car. Record this value at the top of Table 6.1.
2. Set the car on the track and attach a spring to one end of the car by inserting the end of the spring in the hole provided in the car. Then attach the other end of the spring to the end of the track (See Figure 6.1).

NOTE: Remove the leveling feet for this experiment.

3. Incline the track by raising the end of the track that has the spring attached. As the end of the track is raised, the spring will stretch. Keep the inclination angle of the track small enough so that the spring is not stretched more than half the length of the track.

- Displace the car from equilibrium a specific distance and let it go. Time 2 oscillations and record the time in Table 6.1. Repeat this measurement at least 5 times, using the same initial displacement (amplitude).

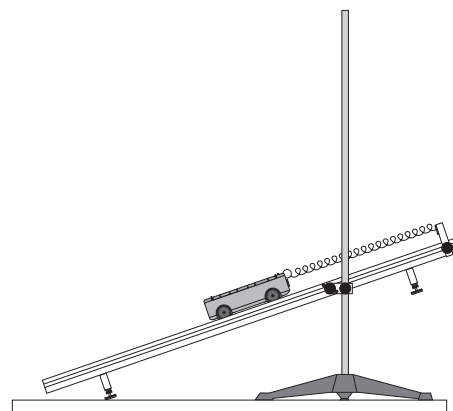


Figure 6.1: Equipment Setup

Measuring the Effective k For Pairs of Springs

- Add a second spring in series as shown in Figure 6.2 and repeat Step 4.
- Put the two springs in parallel as shown in Figure 6.3 and repeat Step 4.
- Arrange the springs as shown in Figure 6.4 and repeat Step 4.

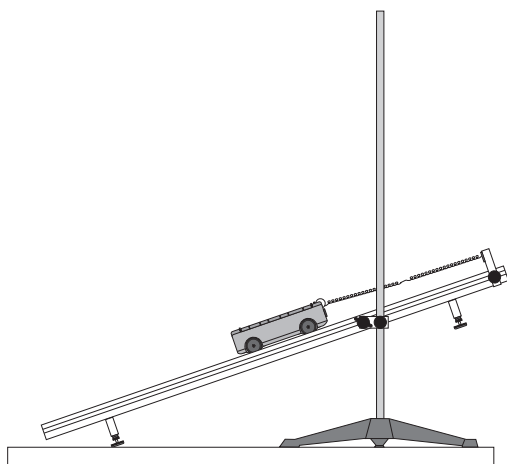


Figure 6.2: Springs in Series

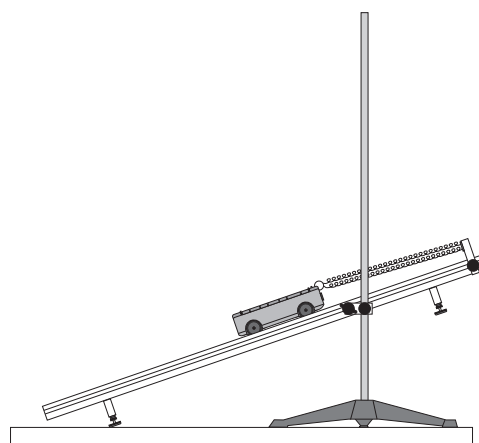


Figure 6.3: Springs in Parallel

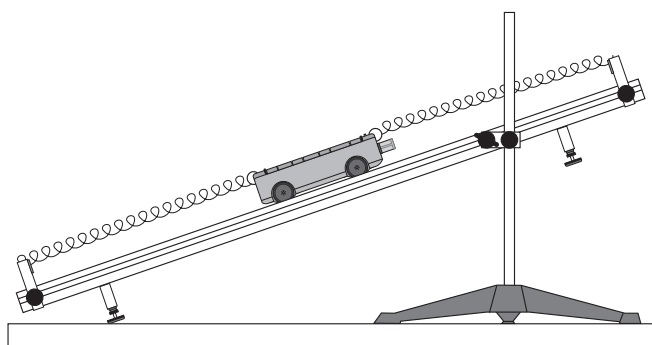


Figure 6.4: Final Spring Arrangement

Calculations

- Using the data in Table 6.1, calculate the average time for 2 oscillations.
- Calculate the period by dividing these times by 2 and record the periods in Table 6.1.
- Using the periods and the mass of the car, calculate the effective spring constants.

Mass of car = _____

Table 6.1

Time for 2 oscillations

Springs	Trial 1	2	3	4	5	Avg	Period	k
One								
Series								
Parallel								
At Ends								

Questions

- Is $k_{\text{effective}} = 2k$ for springs in series or parallel?
- Is $k_{\text{effective}} = 1/2k$ for springs in series or parallel?
- Is the last spring arrangement series or parallel?

Experiment 7: Newton's Second Law

EQUIPMENT NEEDED:

- PAScar with Mass (ME-6950)
- Dynamics Track
- Stopwatch (SE-8702B)*

*Not included in Track Set

Purpose

The purpose is to show how the acceleration of an object is dependent on force and mass.

Procedure

1. Level the track by setting the car on the track to see which way it rolls. Adjust the leveling feet to raise or lower the ends until the car placed at rest on the track will not move.
2. To perform each of the following trials, cock the spring plunger on the car and place the car at rest at the end of the track with the plunger against the end stop. Then release the plunger by pressing the button on the car with a ruler. Observe the resulting acceleration. This will be a qualitative measurement.

VARY THE FORCE: Perform the first trial with the spring plunger cocked to the first possible position (the least compression), and then do two more trials increasing the force applied to the car by increasing the compression of the spring plunger.

VARY THE MASS: For these trials, always cock the spring plunger to the maximum. Observe the relative accelerations of the car alone and the car with one mass bar in it. If additional masses are available, use them to increase the mass for additional trials.

Data Analysis

1. Does the acceleration increase or decrease as the force is increased?
2. Does the acceleration increase or decrease as the mass is increased?

Question

From the results of this experiment, can you deduce the equation that relates acceleration to mass and force?

Experiment 8: Newton's Second Law II

EQUIPMENT NEEDED:

- | | |
|--|---|
| <ul style="list-style-type: none"> – PAScar (ME-6950) – Super Pulley with clamp (ME-9448A)* – String* – Stopwatch (SE-8702B)* – Mass balance (SE-8723)* | <ul style="list-style-type: none"> – Dynamics Track – Base and support rod (ME-9355)* – Mass hanger and mass set (ME-9348)* – Wooden or metal stopping block*
(See Procedure Step 3.) |
|--|---|

*Not included in Track Set

Purpose

The purpose is to verify Newton's Second Law, $\mathbf{F} = \mathbf{ma}$.

Theory

According to Newton's Second Law, $\mathbf{F} = \mathbf{ma}$. \mathbf{F} is the net force acting on the object of mass \mathbf{m} and \mathbf{a} is the resulting acceleration of the object.

For a car of mass \mathbf{m}_1 on a horizontal track with a string attached over a pulley to a mass \mathbf{m}_2 (see Figure 7.1), the net force \mathbf{F} on the entire system (car and hanging mass) is the weight of hanging mass, $\mathbf{F} = \mathbf{m}_2\mathbf{g}$, assuming that friction is negligible.

According to Newton's Second Law, this net force should be equal to \mathbf{ma} , where \mathbf{m} is the total mass that is being accelerated, which in this case is $\mathbf{m}_1 + \mathbf{m}_2$. This experiment will check to see if $\mathbf{m}_2\mathbf{g}$ is equal to $(\mathbf{m}_1 + \mathbf{m}_2)\mathbf{a}$ when friction is ignored.

To obtain the acceleration, the car will be started from rest and the time (\mathbf{t}) it takes for it to travel a certain distance (\mathbf{d}) will be measured. Then since $\mathbf{d} = (1/2)\mathbf{at}^2$, the acceleration can be calculated using

$$a = \frac{2d}{t^2} \quad (\text{assuming } a = \text{constant})$$

Procedure

1. Level the track by setting the car on the track to see which way it rolls. Adjust the leveling feet to raise or lower the ends until the car placed at rest on the track will not move.
2. Use the balance to find the mass of the car and record in Table 8.1.
3. Attach the pulley to the end of the track as shown in Figure 8.1. Place the dynamics car on the track and attach a string to the hole in the end of the car and tie a mass hanger on the other end of the string. The string must be just long enough so the car hits the stopping block before the mass hanger reaches the floor.
4. Pull the car back until the mass hanger reaches the pulley. Record this position at the top of Table 8.1. This will be the release position for all the trials. Make a test run to determine how much mass is required on the mass

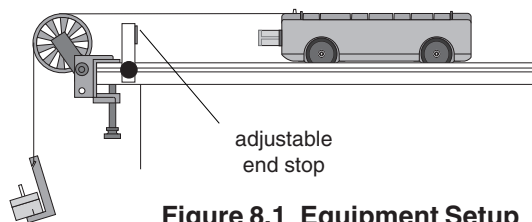


Figure 8.1 Equipment Setup

hanger so that the car takes about 2 seconds to complete the run. Because of reaction time, too short of a total time will cause too much error. However, if the car moves too slowly, friction causes too much error. Record the hanging mass in Table 8.1.

5. Place the car against the adjustable end stop on the pulley end of the track, and record the final position of the car in Table 8.1.
6. Measure the time at least 5 times. Record these values in Table 8.1.

Table 8.1

		Time					
Car Mass	Hanging Mass	Trial 1	Trial 2	Trial 3	Trial 4	Trial 5	Average Time

Initial release position = _____

7. Increase the mass of the car and repeat the procedure.

Final position = _____

Total distance (d) = _____

Data Analysis

1. Calculate the average times and record in Table 8.1.
2. Calculate the total distance traveled by taking the difference between the initial and final positions of the cart as given in Table 8.1.
3. Calculate the accelerations and record in Table 8.2.
4. For each case, calculate the total mass multiplied by the acceleration and record in Table 8.2.
5. For each case, calculate the net force acting on the system and record in Table 8.2.
6. Calculate the percent difference between F_{NET} and $(m_1+m_2)a$ and record in Table 8.2.

Table 8.2

Car Mass	Acceleration	$(m_1+m_2)a$	$F_{NET} = m_2g$	% Difference

Questions

1. Did the results of this experiment verify that $F = ma$?
2. Considering frictional forces, which force would you expect to be greater: the hanging weight or the resulting total mass times acceleration? Did the results of this experiment consistently show that one was larger than the other?
3. Why is the mass in $F = ma$ not just equal to the mass of the car?
4. When calculating the force on the car using mass times gravity, why isn't the mass of car included?

Experiment 9: Conservation of Energy

EQUIPMENT NEEDED:

- | | |
|--|---|
| <ul style="list-style-type: none"> – PAScar with Mass (ME-6950) – Super Pulley with Clamp (ME-9448A)* – Base and support rod (ME-9355)* – String* – Mass balance (SE-8723)* | <ul style="list-style-type: none"> – Dynamics Track – Meter stick* – Mass hanger and mass set (SE-8759)*
(several kilograms) – Graph paper* |
|--|---|

*Not included in Track Set

Purpose

The purpose is to examine spring potential energy and gravitational potential energy and to show how energy is conserved.

Theory

The potential energy of a spring compressed a distance x from equilibrium is given by $PE = (1/2)kx^2$, where k is the spring constant. According to Hooke's Law, the force exerted by the spring is proportional to the distance the spring is compressed or stretched, $F = kx$, where k is the proportionality constant. Thus, the spring constant can be experimentally determined by applying different forces to stretch or compress the spring different distances. When you plot the force versus the distance, the slope of the resulting straight line is equal to k .

The gravitational potential energy gained by a car as it climbs an incline is given by **potential energy = mgh** , where m is the mass of the car, g is the acceleration due to gravity, and h is the vertical height the car is raised. In terms of the distance, d , along the incline, the height is given by **$h = d \sin\theta$** .

If energy is conserved, the potential energy in the compressed spring will be completely converted into gravitational potential energy.

Determining the Spring Constant

Procedure

1. Level the track by setting the car on the track to see which way it rolls. Adjust the leveling feet to raise or lower the ends until the car placed at rest on the track will not move.
2. Use the balance to find the mass of the car. Record this value in Table 9.2.
3. Set the car on the track with the spring plunger against the stopping block as shown in Figure 9.1. Attach a string to the car and attach the other end to a mass hanger, passing the string over the pulley.
4. Record the car's position in Table 9.1.
5. Add mass to the mass hanger and record the new position. Repeat this for a total of 5 different masses.

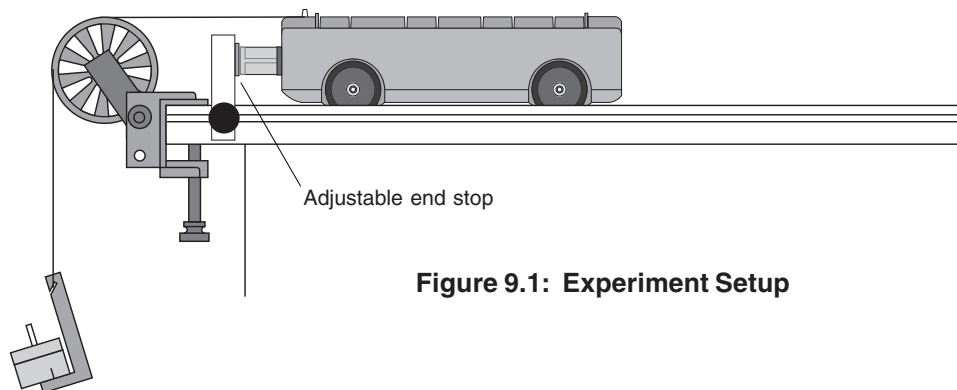


Figure 9.1: Experiment Setup

Table 9.1

Added Mass	Position	Displacement from Equilibrium	Force (mg)

Potential Energy

6. Remove the leveling feet.
7. Remove the string from the car and cock the spring plunger to its maximum compression position. Place the car against the end stop. Measure the distance the spring plunger is compressed and record this value in Table 9.2.
8. Incline the track and measure its height and hypotenuse (see Figure 9.2) to determine the angle of the track.

$$\text{angle} = \text{arc sin} \left(\frac{\text{height}}{\text{hypotenuse}} \right)$$

Record the angle in Table 9.2.

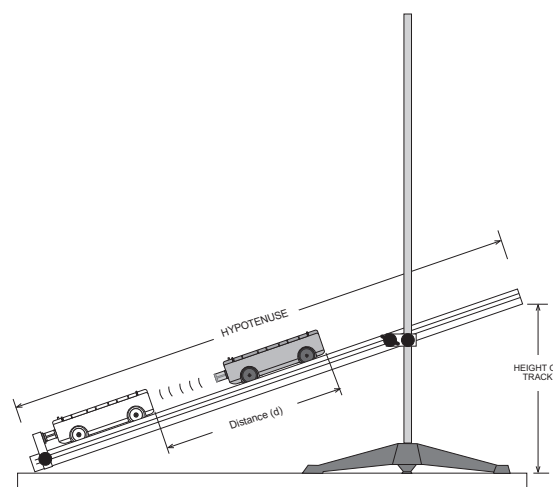


Figure 9.2

9. Record the initial position of the car in Table 9.2.
10. Release the plunger by tapping it with a stick and record the distance the car goes up the track. Repeat this five times. Record the maximum distance the car went in Table 9.2.
11. Change the angle of inclination and repeat the measurements.
12. Add mass to the car and repeat the measurements.

Table 9.2**Distance(d) traveled by the car (trials 1-5)**

Angle	Mass	Trial 1	2	3	4	5	Max	$h = d \sin\theta$

Distance spring is compressed (x) = _____

Initial position of car = _____

Data Analysis

1. Using the data in Table 9.1, plot force versus displacement. Draw the best-fit straight line through the data points and determine the slope of the line. The slope is equal to the effective spring constant, k.

k = _____

2. Calculate the spring potential energy, and record in Table 9.3.
3. Calculate the gravitational potential energy for each case and record in Table 9.3.
4. Calculate the percent difference between the spring potential energy and the gravitational potential energy.

Table 9.3

Angle/Mass	Spring PE ($\frac{1}{2}kx^2$)	Gravitational PE (mgh)	% Difference

Questions

1. Which of the potential energies was larger? Where did this “lost” energy go?
2. When the mass of the car was doubled, why did the gravitational potential energy remain about the same?

Notes

Additional Experiment Suggestions

Experiment 11: Conservation of Center of Mass

Set up the track in the configuration shown in Figure 1.1 in Experiment #1. (Note: Instead of putting the track directly on the table, place it on the additional mass bar so that the bar acts as a fulcrum.) Position the bar so the cars and track are balanced. First use two cars of equal mass. Press the cocked plunger and watch the cars move to the ends of the track. Since the center of mass of the system does not move, the track will remain balanced.

Then repeat this procedure using cars of unequal mass.

Experiment 12: Oscillation Modes of Two Carts and Three Springs

Place two cars of equal mass on the track. Attach a spring between the two cars and connect each car to their respective ends of the track with springs. Pull the cars away from each other and release and observe the mode of oscillation. Then displace both cars in the same direction initially and observe.

Add a mass bar to one car and repeat.

Experiment 13: Newton's Second Law III

Repeat Experiment 8 with the track inclined so the pulley is on the high end and the car accelerates up the incline.

Experiment 14: Damped Motion

Incline the track with the end stop at the bottom. Release the car from a measured distance up the inclined track. The spring plunger should be unlocked and directed toward the bottom of the incline so the car will rebound. On each rebound, when the car reaches its peak, record the time and position. A plot of amplitude versus time can be made.

Experiment 15: Rocket Cart with Balloon

Attach an untied inflated balloon to the car with the neck of the balloon directed out the back of the car. Let the air propel the car.

Experiment 16: Oscillation Modes of Three Cars and Four Springs

(For the ME-9459 system)

Place three cars of equal mass on the track. Attach a spring between the cars, and connect the end cars to their respective ends of the track with springs.

Displace the two end cars away from the middle car and release and observe the mode of oscillation.

Displace the two cars on the left away from the car on the right and release and observe the mode of oscillation.

Displace the middle car and release and observe the mode of oscillation.

Experiment 17: Multiple Elastic Collisions

(For the ME-9459 system)

Use two Collision Carts and one PAScar. Try this experiment with cars of the same mass and then with carts of different masses. Set the three carts on the track with the PAScar on the right end with its magnetic bumper oriented toward the Collision Carts. Push the left Collision Cart into the middle cart, which in turn will collide with the PAScar on the right. Note the resulting final velocities of each cart.

Experiment 18: Multiple Inelastic Collisions

(For the ME-9459 system)

Use two Collision Carts and one PAScar with its magnets removed. Alternatively, two PAScars and one Collision Cart may be used. Try this experiment with carts of the same mass and then with carts of different masses. Set the three carts on the track with the carts arranged so that the Velcro bumpers will collide without magnets to push them apart. Push the left cart into the middle cart, which in turn will collide with the PAScar. The carts will all stick together. Note the resulting final velocity of the carts.

Experiment 19: Rocket Staging

Use three or more PAScars (with plungers) to simulate a rocket expelling fuel. Push the plungers in on each car and attach the cars together in a line on the 7.5' track. Tape can be used to lightly attach the cars to each other or Velcro can be added to the bumpers. Position the cars at one end of the track. The lead car represents the rocket and the rest of the cars are fuel. Use a meter stick to release the plungers in succession by striking the plunger-release of each car, beginning with the last fuel car (furthest from the rocket car). As each plunger is released, each car will separate from the rest, one at a time. Note the final speed of the rocket car compared to its speed when all the fuel is dumped at once.

Experiment 20: Longitudinal Wave

Use six or more Collision Carts on the 7.5 foot track with the adjustable end stops installed at the ends of the track with the magnetic side of the end stops toward the center of the track. Start a longitudinal pulse by displacing one of the carts. The carts will rebound off each other and the end stops. Oscillate the end cart to keep a longitudinal wave going down the track.

Teacher's Guide

Experiment 1: Conservation of Energy in Explosions

Answers to Questions

1. Momentum is conserved in each case.
2. As shown in this lab, the momentum of each cart is the same.
3. $KE_2 = \frac{m_1}{m_2} KE_1$
4. The lighter car will have a higher kinetic energy.
4. The starting position does not depend on the car that has the plunger cocked. During the "explosion," the momentum of the cars is effected by the fact that the plunger is moving at a different velocity than either car. However, since each plunger eventually ends up moving at the same speed as the car it is on, there is no difference when the cars are separated.

Experiment 2: Conservation of Momentum in Collisions

NOTE: Without some method of actually measuring the velocities of cars, this lab should be only be used for qualitative analysis.

Part I

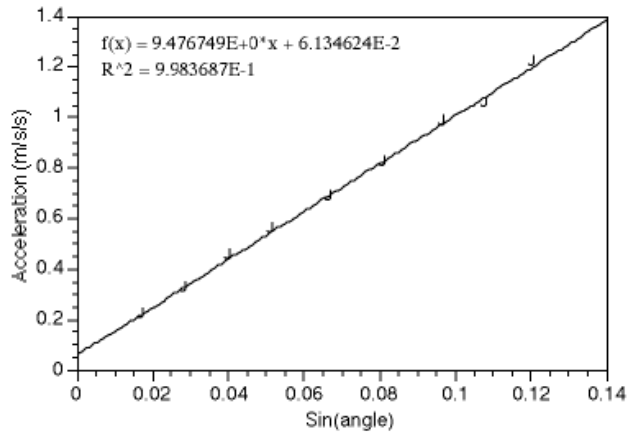
- a. Since the cars have the same mass, they will exchange velocity in each case.
- b. The momentum transfer will be proportional to the ratio of the car masses.

Answers to Questions

1. Each car loses its momentum. The total momentum is unchanged, because the total momentum is zero both before and after the collision.
2. In this case, the total momentum is still zero both before and after the collision.

Experiment 3: Acceleration Down an Incline

Data Analysis



The value of the slope will be slightly lower than 9.8, due to friction. (Our value 3.3% low.)

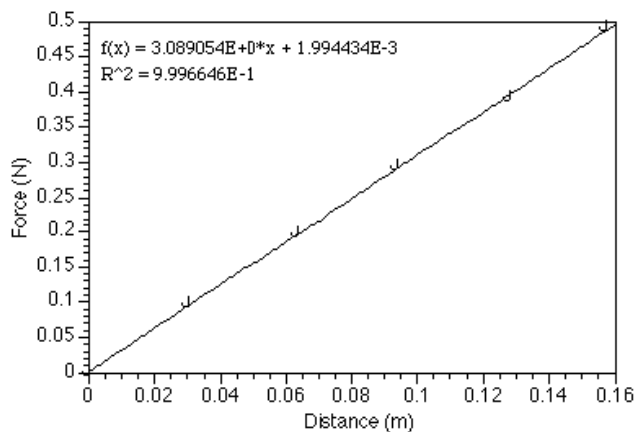
Answers to Questions

1. Assuming that reaction time is relatively constant, the percent error due to reaction time would be greater for shorter times and higher angles.
2. Changing the mass of the car will slightly affect the results due to changing frictional characteristics.

Experiment 4: Simple Harmonic Oscillator

Notes on Procedure

6. For best results, make sure that the springs are neither overstretched nor hanging loose. For these tests, we only used 10-50g masses.



Notes on Calculations

1. The spring constant $k = 3.089 \text{ N/m}$ for the springs used here. This value will vary from spring to spring.
2. Theoretical values will vary, depending on the value for k and for m . For best results, measure the cars rather than assume their weight to be the stated 250g.

Notes on Comparison

The percent difference between experimental and theoretical values should be less than 2%, and it is not unusual to obtain errors of less than 0.5%.

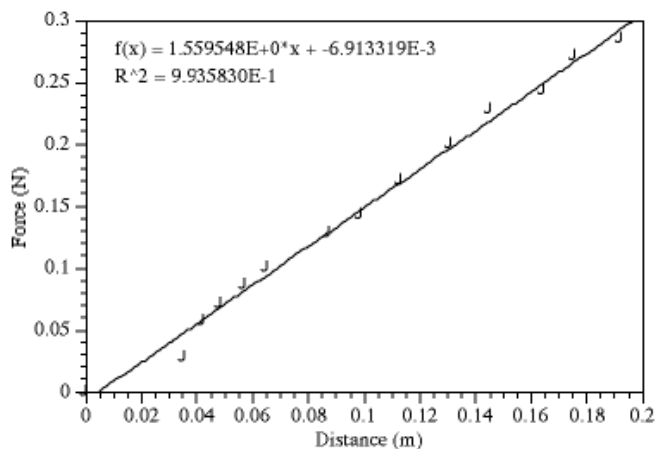
Answers to Questions

1. The period of oscillation increases with mass. The more massive car oscillates slower.
2. The period is not changed, as long as the initial displacement does not exceed the linear region of the spring. You will notice a slight difference if the displacement is enough to permanently deform the spring.

Experiment 5: Oscillations on an Incline

Notes on Procedure

The inclination angle of the track should be between 5° and 15° for best results. You may want to measure the spring constant by hanging masses directly from the spring (vertically) without the car. This is a better method than the one described in the experiment guide.



Notes on Calculations

1. The spring constant $k = 1.5595$ for the spring tested here. The actual spring constant will vary, although it should be close to 1.5 for the springs supplied with this apparatus.
2. Theoretical values will vary, depending on the value for k and for m . For best results, measure the cars rather than assume their weight to be the stated 250g.

Answers to Questions

1. The period does not vary significantly as the angle changes. There is some variation due to nonlinearity in the spring; as the spring is extended at greater angles, the force “constant” is not constant. The contribution due to friction also changes with angle.
2. The experimental results should agree with theory to within 2%, although it is not unusual to find agreement within less than 1%.
3. The equilibrium position changes as the angle is changed.
4. The period would be the same at 90° , as long as the spring was not overstretched. NOTE: Hanging the PAScar from the spring supplied with this equipment will overextend the spring.

Experiment 6: Springs in Series and Parallel

Keep the angle of the track low, especially if you are using a short (1.2m) track. Otherwise, the cars will go off the end of the track when the springs are in series.

Notes on Calculations

The two springs used for this experiment had spring constants of 1.53 and 1.60. Actual spring constants may vary from spring to spring.

- In series, the spring constant was 0.76. ($k/2$)
- In parallel, the spring constant was 3.12 ($2k$)
- The spring constant was 3.06 ($2k$) when the springs were attached to the ends of the car.

Answers to Questions

1. The effective spring constant is $2k$ for springs in parallel.
2. The effective spring constant is $k/2$ for springs in series.
3. The springs are effectively in parallel when they are attached to opposite ends of the car.

Experiment 7: Newton's Second Law

This lab is intended to only be a qualitative lab. For a quantitative analysis of Newton's second law, see Experiment 8.

Notes on Data Analysis

1. Acceleration increases with force.
2. Acceleration decreases with mass.

Answers to Questions

1. $F = ma$

Experiment 8: Newton's Second Law II

If the mass used to accelerate the car is too low, friction will be a very significant source of error. If it is too high, then the time will be short and accurate measurements will be difficult. For this lab, it would be best to use a photogate timing system, such as the PASCO ME-9215.

Answers to Questions

1. The results of this experiment generally show that $F = ma$. Errors can be high, due to friction and timing inaccuracy.
2. The force of the hanging weight is larger than the total mass times acceleration. The difference between the two is the force of friction.
3. The hanging mass is accelerating at the same rate as the car, so both the hanging mass and the car's mass must be considered.
4. The car is on a level track, so it is not accelerated by gravity.

Experiment 9: Conservation of Energy

Answers to Questions

1. The initial spring potential energy is larger. (Generally. There are experimental errors, which can make the gravitational energy appear larger than the initial spring potential.) The "lost" energy goes into friction.
2. Why not? The increased mass means that the car does not travel as high, but the final gravitational potential energy will be the same.

Technical Support

Feedback

If you have any comments about this product or this manual, please let us know. If you have any suggestions on alternate experiments or find a problem in the manual, please tell us. PASCO appreciates any customer feedback. Your input helps us evaluate and improve our product.

To Reach PASCO

For Technical Support:

Phone: 1-800-772-8700 (toll-free in U.S.)
or (916)786-3800

Fax: (916) 786-3292

E-Mail: techsupp@pasco.com

Web: www.pasco.com

Contacting Technical Support

Before you call the PASCO Technical Support staff it would be helpful to prepare the following information:

- If your problem is computer/software related, note:
 - Title and Revision Date of software
 - Type of Computer (Make, Model, Speed)
 - Type of external Cables/Peripherals
- If your problem is with the PASCO apparatus, note:
 - Title and Model number (usually listed on the label)
 - Approximate age of apparatus
 - A detailed description of the problem/sequence of events. (In case you can't call PASCO right away, you won't lose valuable data.)
 - If possible, have the apparatus within reach when calling. This makes descriptions of individual parts much easier.
- If your problem relates to the instruction manual, note:
 - Part number and Revision (listed by month and year on the front cover)
 - Have the manual at hand to discuss your questions.

