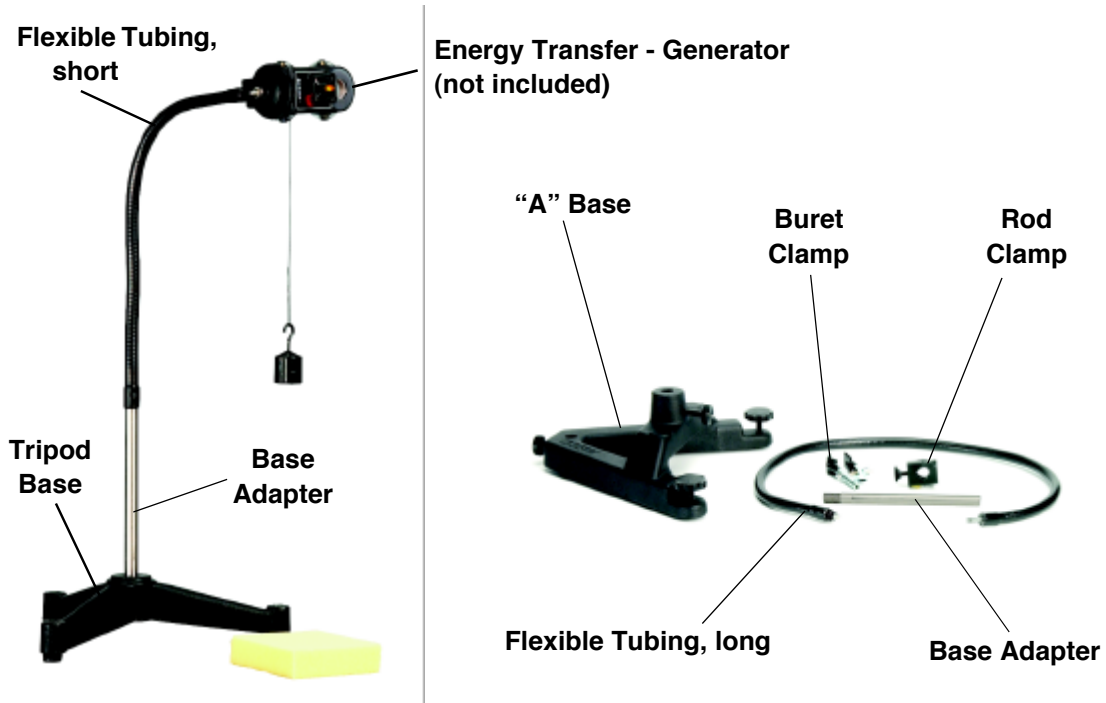


# FlexBase and Accessories

Model No. ME-9860 - ME-9863

## Equipment List



ME-9860 Included Equipment	Replacement Model Number*
Flexible Tubing, Long (92cm)	699-171
Base Adapter	648-08697
Nylon Thumbnut, not shown	614-034

ME-9861 Included Equipment	Replacement Model Number*
Flexible Tubing, Short (46cm)	699-170
Base Adapter	648-08697
Nylon Thumbnut, not shown	614-034

<b>ME-9862 Included Equipment</b>	<b>Replacement Model Number*</b>
"A" Base	ME-8735
Flexible Tubing, Long (92cm)	699-171
Base Adapter	648-08697
Buret Clamp	SE-9446
Rod Clamp	003-05134
Nylon Thumbnut, not shown	614-034
Thumbscrew, with plastic knob, not shown	617-016

<b>ME-9863 Included Equipment</b>	<b>Replacement Model Number*</b>
Tripod Base	648-03487
Flexible Tubing, Short (46cm)	699-170
Base Adapter	648-08697
Buret Clamp, not shown	SE-9446
Rod Clamp, hidden from view	003-05134
Nylon Thumbnut	614-034
Thumbscrew, not shown	610-106
Thumbscrew, with plastic knob, not shown	617-016

\*Use Replacement Model Numbers to expedite replacement orders.

## Introduction

The FlexBase series of products incorporates a semi-rigid rod stand which enables the user to secure many common laboratory items in any position.

The male threaded end (1/4-20 UNC) of the flexible tube allows stable mounting of laboratory items, including many PASCO sensors.

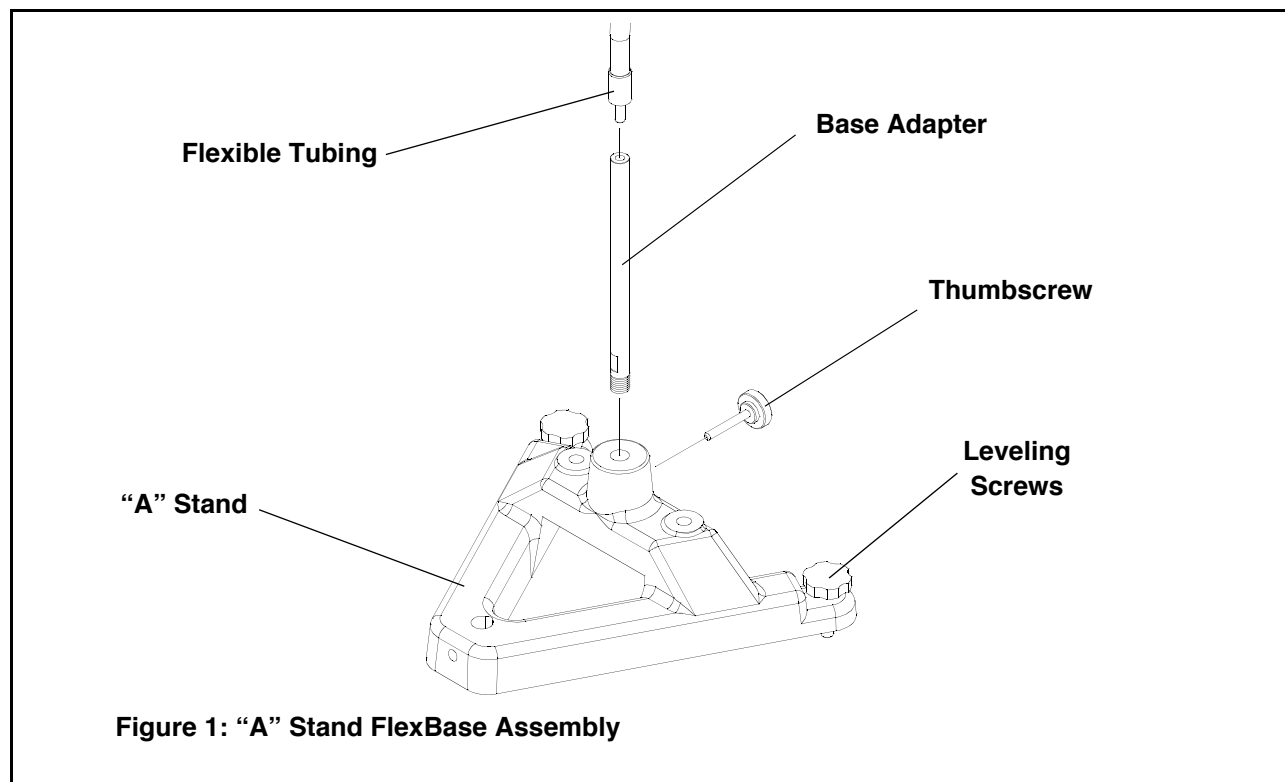
The FlexBase series is outlined as follows:

- ME-9860 Long Flexible Tubing Kit
- ME-9861 Short Flexible Tubing Kit
- ME-9862 FlexBase, "A" Stand
- ME-9863 FlexBase, Tripod

## Equipment Setup

### ME-9862 FlexBase, "A" Stand

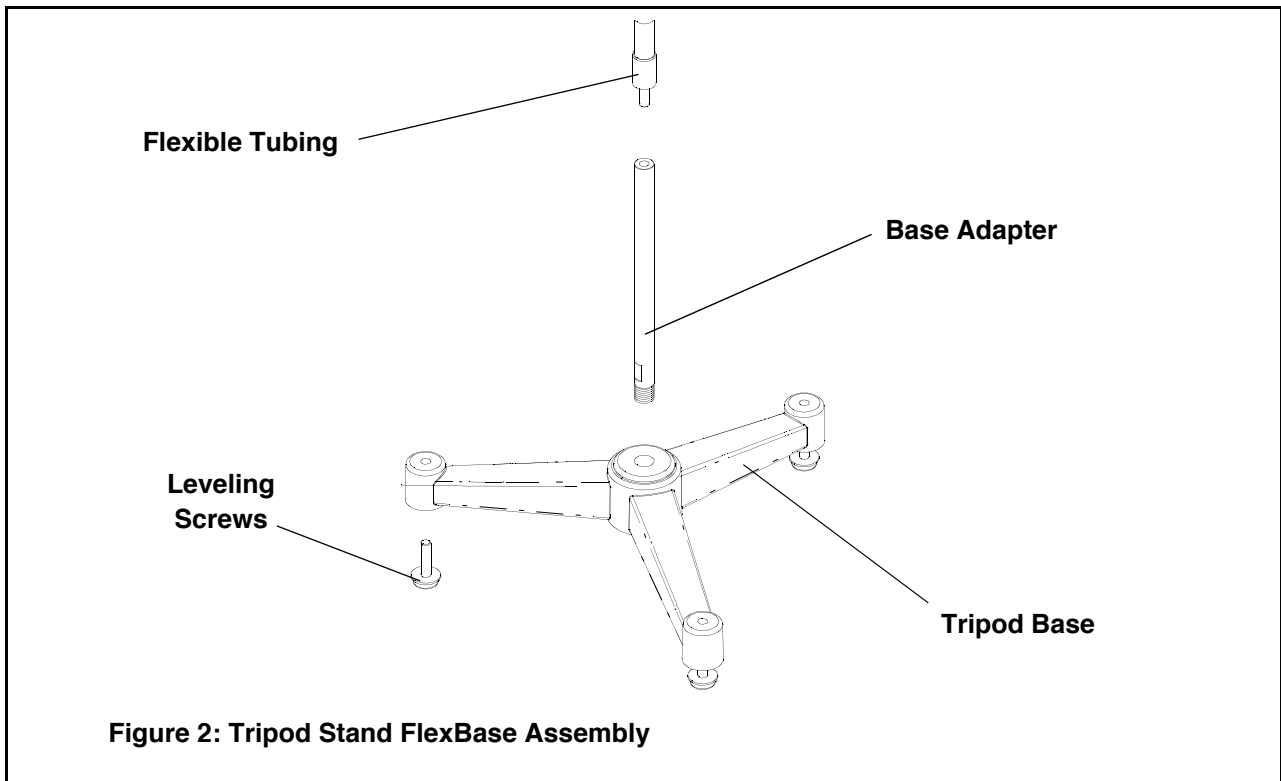
1. Slide male threaded end of Base Adapter into mating feature of "A" Stand. See Figure 1.
2. Secure with Thumbscrew.



3. Screw one end of Flexible Tubing into top of Base Adapter.
4. Level base and secure hardware as necessary.

### ME-9863 FlexBase, Tripod

1. Screw male threaded end of Base Adapter into mating feature of Tripod Base. See Figure 2.



2. Screw one end of Flexible Tubing into top of Base Adapter.
3. Level base and secure hardware as necessary.

### Mounting Equipment to Flexible Tubing

1. Screw equipment (1/4-20 UNC female thread required) to male threaded end of Flexible Tubing. Damage to lab equipment may occur if end of Flexible Tubing is inserted too far into equipment.
2. Tighten equipment into position by adjusting Thumbnut.
3. See Figure 3.

