
Included parts	1
About the parts.	3
Recommended additional equipment	10
Replacement parts and spares sets	11
About the experiments.	12
Experiment 1: Acceleration on an inclined plane.	13
Experiment 2: Newton's second law	17
Experiment 3: Projectile motion	21
Experiment 4: Forces in an Elevator	25
Experiment 5: Roller Coaster.	29
Experiment 6: Centripetal force	35
Experiment 7: Impulse and momentum	39
Experiment 8: Physical Pendulum	43
Experiment 9: Resonance	47
Experiment 10: Work and energy	51
Other experiments	57
Appendix: DataStudio set-up notes	65
Teachers' notes and sample data	67
Technical Support	74

Physics Structures Set

ME-6989

Included parts

Structure parts ¹	Quantity
1. #1 beams	16
2. #2 beams	16
3. #3 beams	36
4. #4 beams	36
5. #5 beams	16
6. Screws	150
7. Half-round connectors	28
8. XYZ connectors	6
9. Flat round connectors	6
10. 1/4-20 thumbscrews	6
11. 1/4-20 nuts	6
12. Angle connectors	24
13. Straight connectors	24
14. Sliding connectors	12
15. Cord tensioning clips	32
16. Braided nylon cord, 70 m spool	1

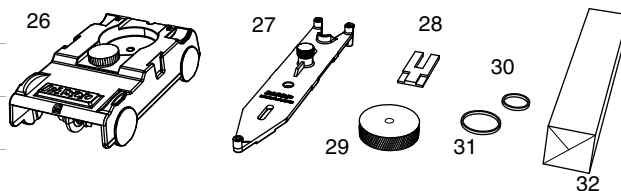
¹For replacement parts see PASCO parts ME-6993, ME-6990, ME-6997, ME-6999A, and ME-6996,

Axles and wheels ¹	Quantity
17. Long axles	2
18. Medium axles	2
19. Short axles	2
20. Pulleys	12
21. O-rings	12
22. Wheels	4
23. Tires	4
24. Collets	24
25. Spacers	12

¹For replacement parts see PASCO part ME-6998A

Cars and car parts¹**Quantity**

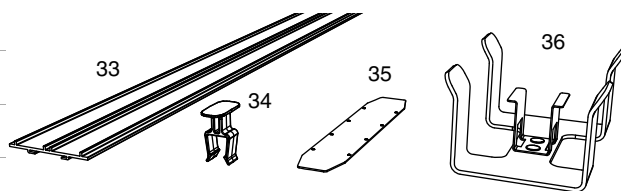
26. Minicars with thumbscrews	2
27. Minicar bumpers with thumbscrews	2
28. Photogate flags	2
29. Car masses, 0.04 kg	2
30. #8 rubber bands	24
31. #10 rubber bands	24
32. Clay	1



¹For replacement parts see PASCO parts ME-6995 and ME-9813

Track and track parts¹**Quantity**

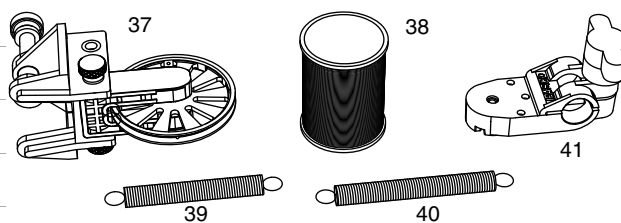
33. Track, 3 m	1
34. Track clips	24
35. Track coupler	1
36. Starter bracket	1



¹For replacement parts see PASCO parts ME-9814 and ME-6995

Other parts¹**Quantity**

37. Clamp-on Super Pulley	1
38. Nylon thread, 130 m spool	1
39. Springs, approximately 2 N/m	4
40. Springs, approximately 1 N/m	4
41. Rod clamps	2



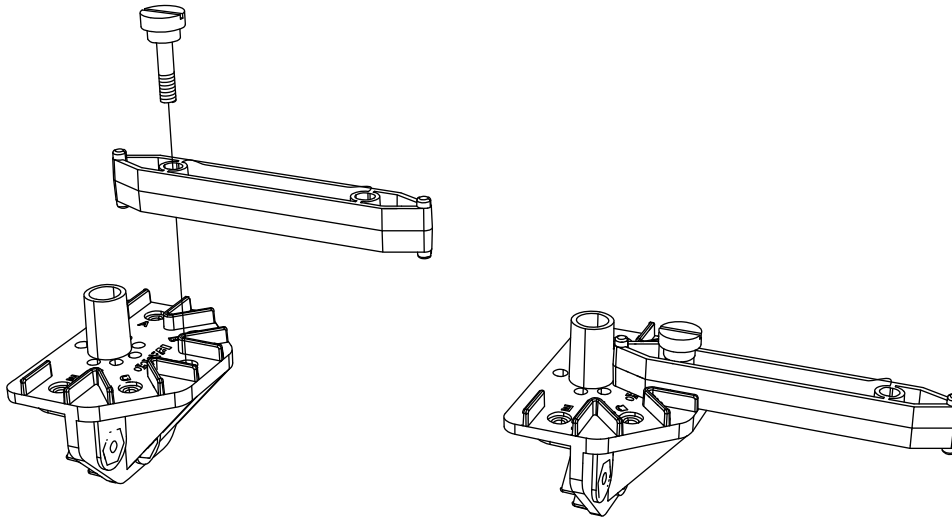
¹For replacement parts see PASCO parts ME-9875, ME-9835, ME-9448A, and ME-6986

About the parts

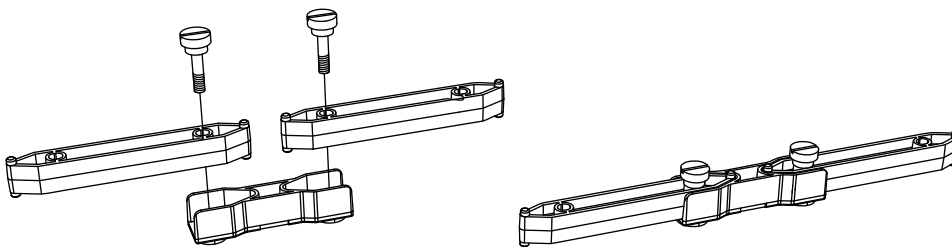
Structure parts

Assembling beams and connectors

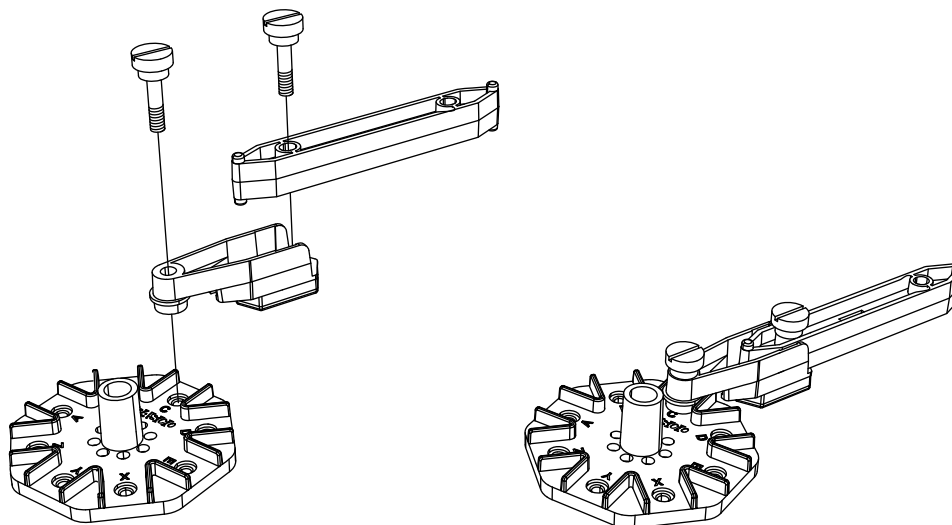
Create structures by using thumbscrews to attach beams and connectors. Some of the ways to assemble beams and connectors are illustrated below:



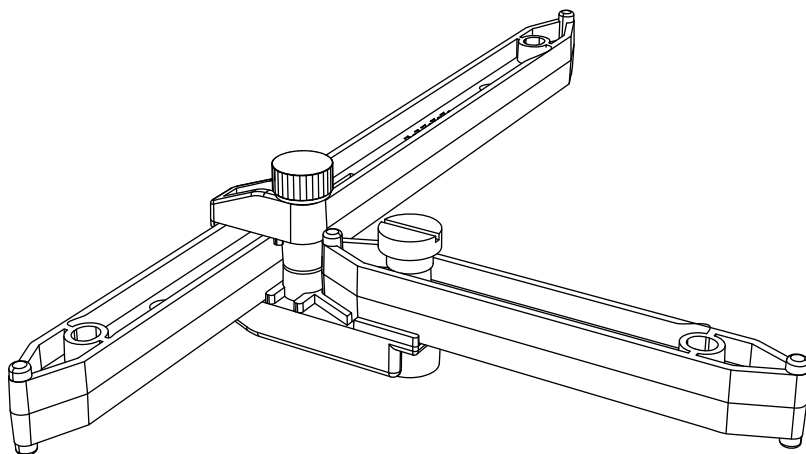
Connecting a beam to a half-round connector



Connecting two beams with a straight connector



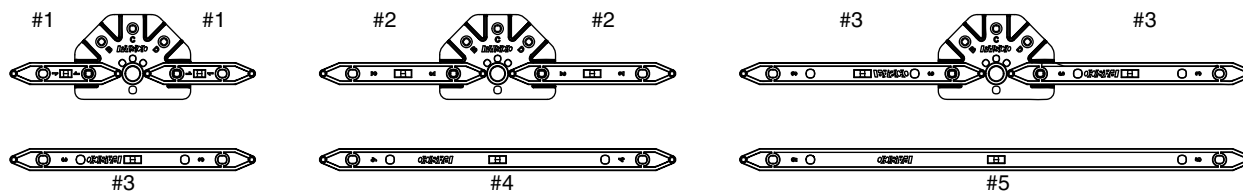
Connecting a beam to a flat round connector with an angle connector. The angle connector allows adjustment to both the angle and length of the beam.



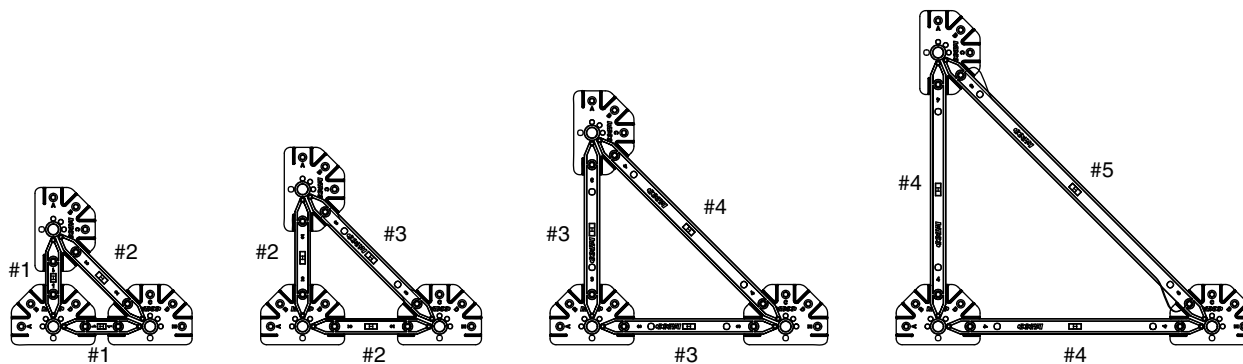
Connecting two beams with a sliding connector. The larger thumbscrew only needs to be loosened, never completely removed from the sliding connector.

About beam lengths and triangles

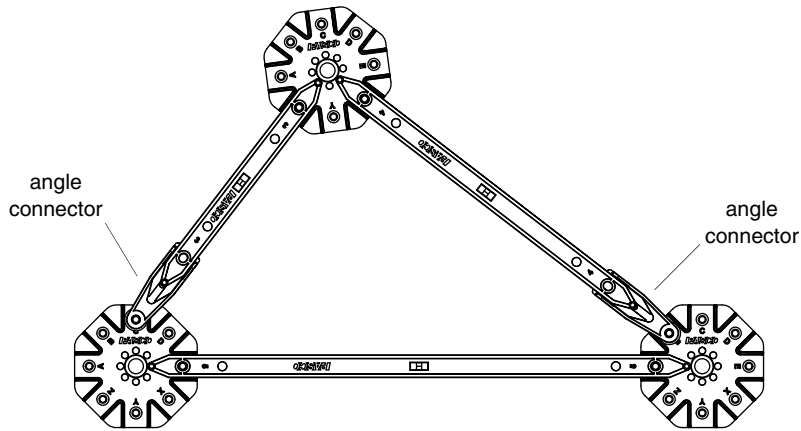
When joined at a 180° angle with a connector, two identical short beams have a combined length equal to one longer beam.



Isosceles right triangles, which contain only 90° and 45° angles, can be made using the combinations of beams illustrated below.



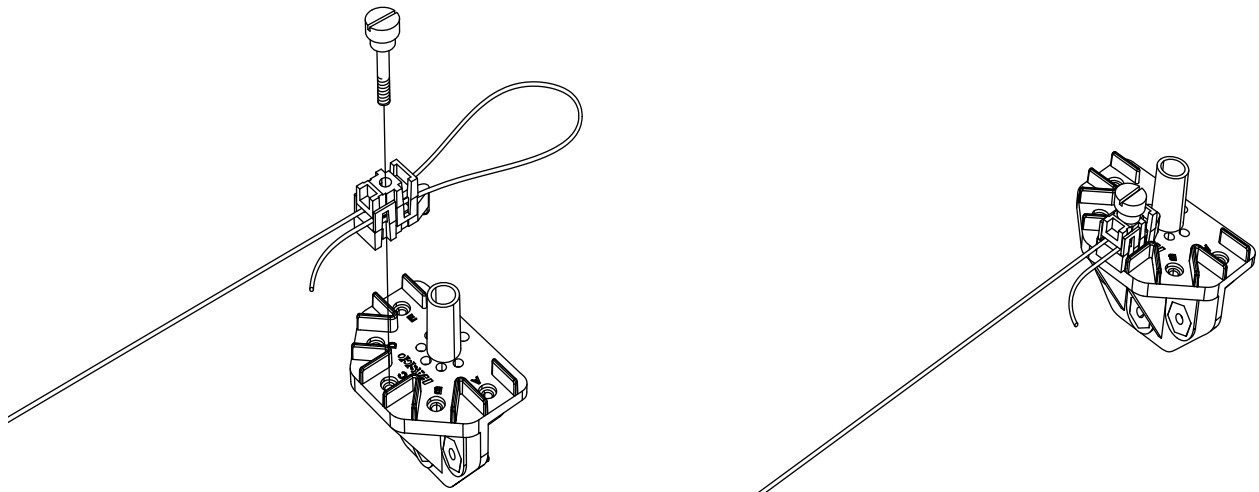
To make triangles with angles other than 90° and 45° , use two or more angle connectors. Angle connectors allow both the length and angle to vary.



Example of a triangle using angle connectors

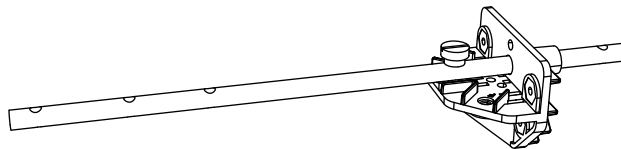
Attaching cords

Use cord tensioning clips to attach cords to connectors. The clips allow the length tension of the cord to be adjusted easily. Note that each clip consists of two loosely captured parts that are not meant to be separated.

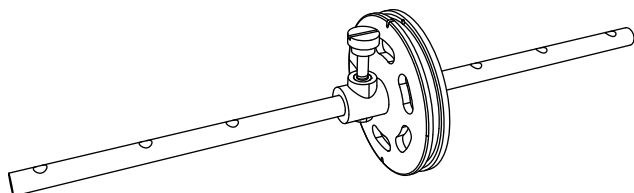


Axles and wheels

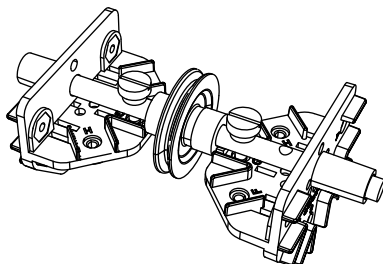
Examples showing uses of axles, pulleys, and wheels are illustrated below. See the experiments in this manual for other examples.



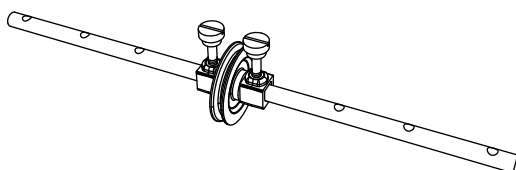
Axle connected to a half-round connector with a screw



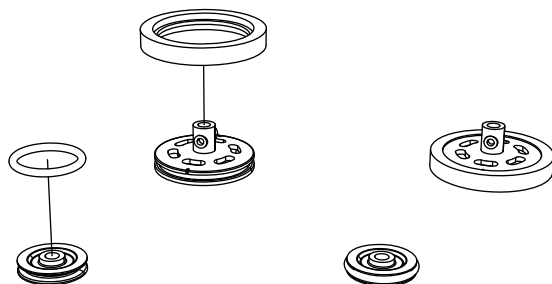
Wheel connected to an axle with a screw



This wheel is free to rotate on the axle attached to two half-round connectors.



This pulley is free to rotate on the axle and is held in place by the collets

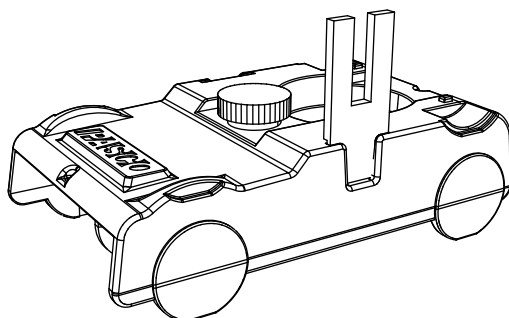


Mounting a tire on a wheel and an o-ring on a pulley

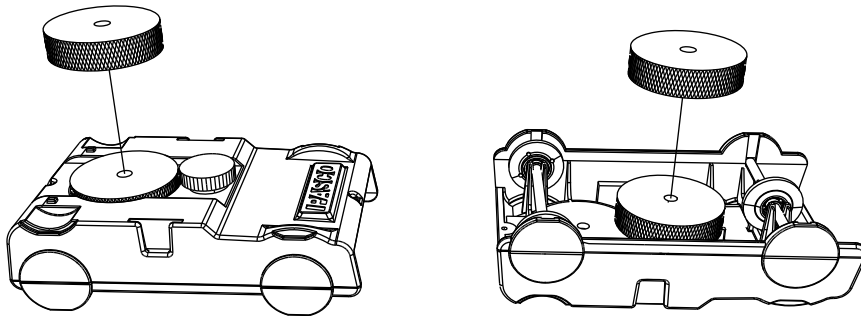
Cars and car parts

The three-wheeled minicar is designed to run on the included track.

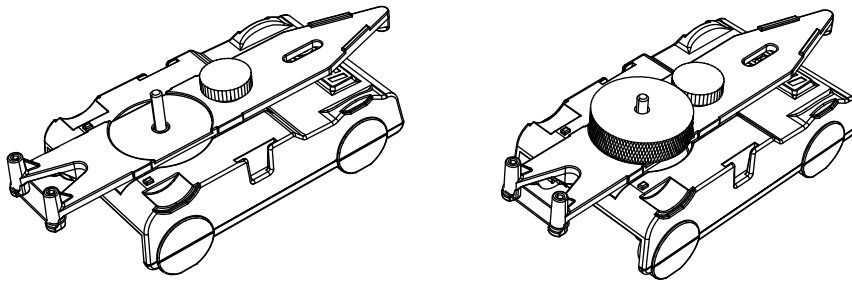
If you are using a photogate to measure the speed of the car, attach the photogate flag as pictured. The flag will interrupt the photogate twice as the car passes, allowing the speed to be calculated.



You can increase the mass of the car by placing a 40 g mass in the circular indentation on the top of the car or by using the thumbscrew to attach the mass to the underside of the car.



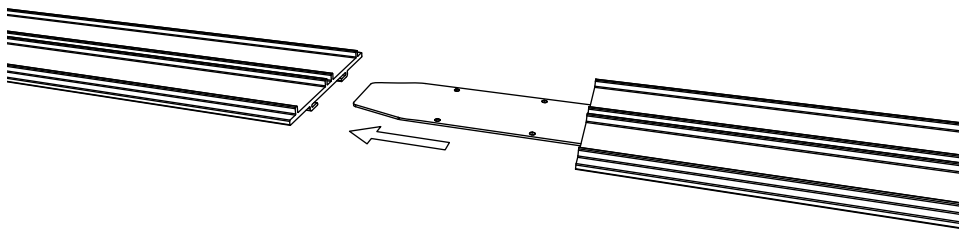
Use the bumper attachments and rubber bands to demonstrate collisions or to couple two cars together as shown. A small amount of clay can be attached to a bumper to achieve an inelastic collision. The 6-32 thumbscrew serves as a post for holding a mass placed on top of the car.



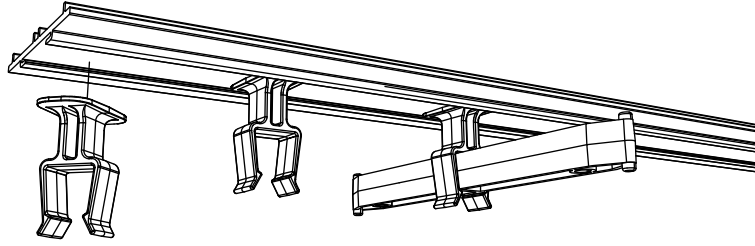
Track and track parts

The flexible track is about 305 cm long and can be cut into shorter pieces. For the experiments in this manual, cut the track into two pieces of 90 cm and 215 cm. See “Replacement parts and spares sets” on page 11 for information about ordering additional track.

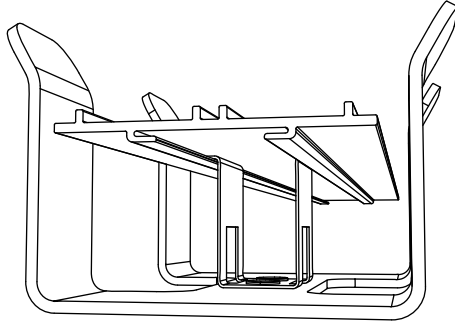
Use the track coupler to join two pieces of track.



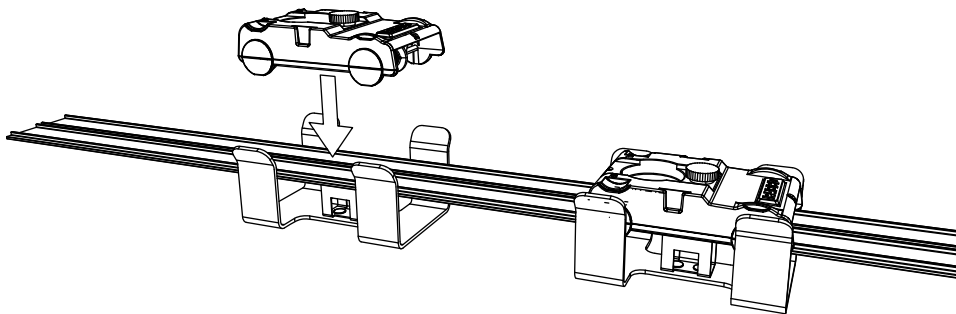
The track clips to connect the track to the structure beams. Attach the clips to the channel on the underside of the track with a quarter twist as shown.



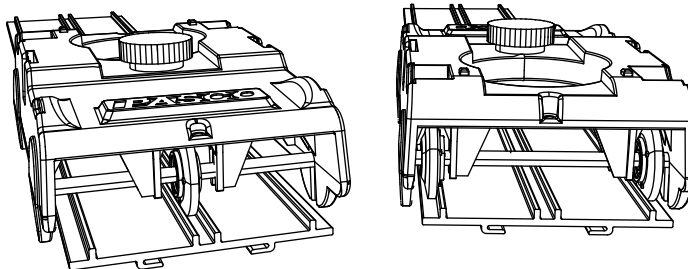
Use the starter bracket to help align the wheels of the car on the track. Squeeze the clip of the starter bracket and insert it into the channel on the underside of the track. Slide the bracket along the track to the desired position.



Drop the car into the bracket as shown.

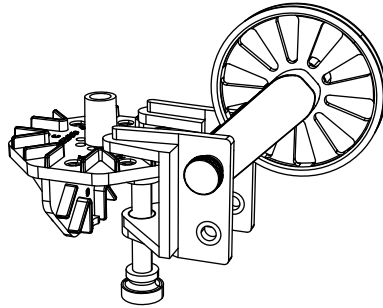


When properly aligned on the track, the front wheel of the car runs in the center groove of the track, and the two back wheels run outside the side ridges.



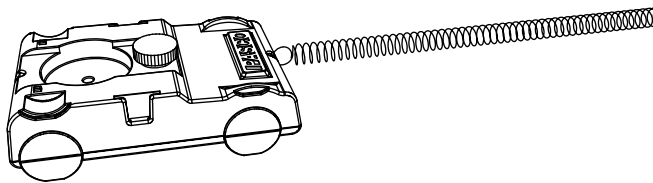
Super Pulley

There are many ways to use the Super Pulley with the structure components. One method is to clamp it to an XYZ connector as illustrated.

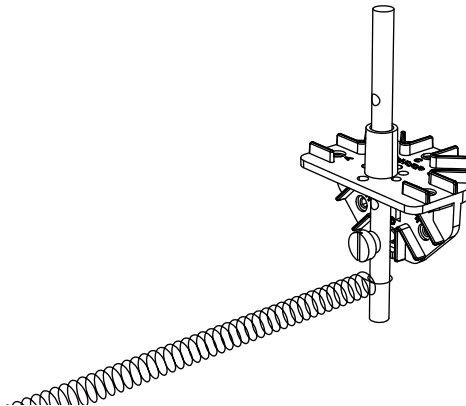


Springs

The set includes eight spring: four with a spring constant of approximately 1 N/m, and four of approximately 2 N/m. You can connect a spring to a car as illustrated.

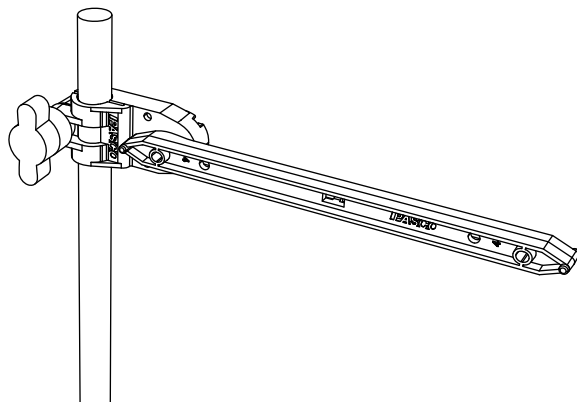


An axle attached to an XYZ or half-round connector can be used to attach a spring to a structure.



Rod Clamps

Use a rod clamp to attach a structure beam to any 12.7 mm diameter rod.



Recommended additional equipment

Equipment	Part number	Recommended quantity
Load Cell and Dual Amplifier Set	PS-2206	1
100 N Load Cell	PS-2200	1
5 N Load Cell	PS-2201	1
Photogate Head	ME-9498A	2
Digital Adapter	PS-2159	1
Rotary Motion Sensor	PS-2120	1
Mass and Hanger Set	ME-8979	1
Large Slotted Mass Set	ME-7566	1
Aluminum Table Clamp	ME-8995	2
60 cm Long Threaded Rod	ME-8977	3
PASOPORT Interface	various, see www.pasco.com	

In addition to the Physics Structures Set, the experiments in this manual require the equipment in the above table. See the experiment instructions starting on page 13 for details on how this equipment can be used with the Physics Structures Set.

Replacement parts and spares sets

Replacement parts

Road Bed Spares	ME-6995
Mini Cars (Set of 3)	ME-9813
Super Pulley with Clamp	ME-9448A
Roller Coaster Track	ME-9814
Road Bed Spares	ME-6995
Structure Set Screws	ME-6994
Truss Set	ME-6990
Truss Set Members	ME-6993
Full Round and XYZ Connector Spares	ME-6997
Angle Connector Spares	ME-6999A
Axle Spares	ME-6998A
Cord Lock Spares	ME-6996
Black Thread (3 pack)	ME-9875
Light Duty Spring Set	ME-9835
Structures Rod Clamp	ME-6986

About the experiments

The experiments starting on page 13 show examples of how the set can be used to study kinematics, momentum, energy, rotation, and other physics concepts. The first ten experiments are presented in copy-ready format followed by several more suggested experiments. Teachers' notes and sample data for the copy-ready experiments appear on pages 67–73.

Experiment 1: Acceleration on an inclined plane

Required equipment from Physics Structures Set	Quantity	
#1 beams	4	
#2 beams	10	
#3 beams	14	
#5 beams	12	
Half-round connectors	11	
XYZ connectors	5	
Flat round connectors	2	
Sliding Connectors	12	
Track clips	10	
Track (90 cm length)	1	
Car	1	
Flag	1	
Starter bracket	1	
#10 Rubber band	1	
Spacers	2	
1/4-20 thumbscrews	2	
Other required equipment		Suggested Model Number
Photogates	2	ME-9498A
Interface or data logger	1	various
Digital adapter (if using a PASPORT interface)	1	PS-2159

Introduction

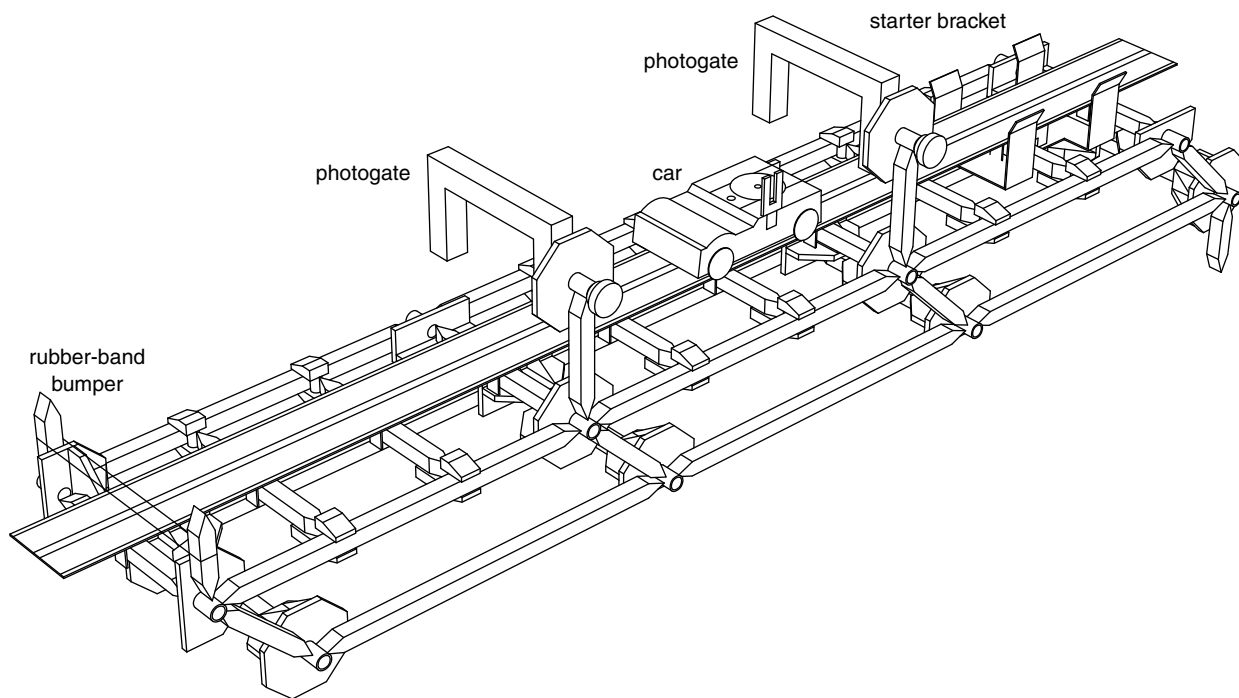
For this lab, you will build an inclined track on which the car is free to travel. Using two photogates and a flag attached to the car, you will measure the car's velocity at two points. Assuming constant acceleration, you can calculate the acceleration of the car:

$$a = \Delta v / \Delta t$$

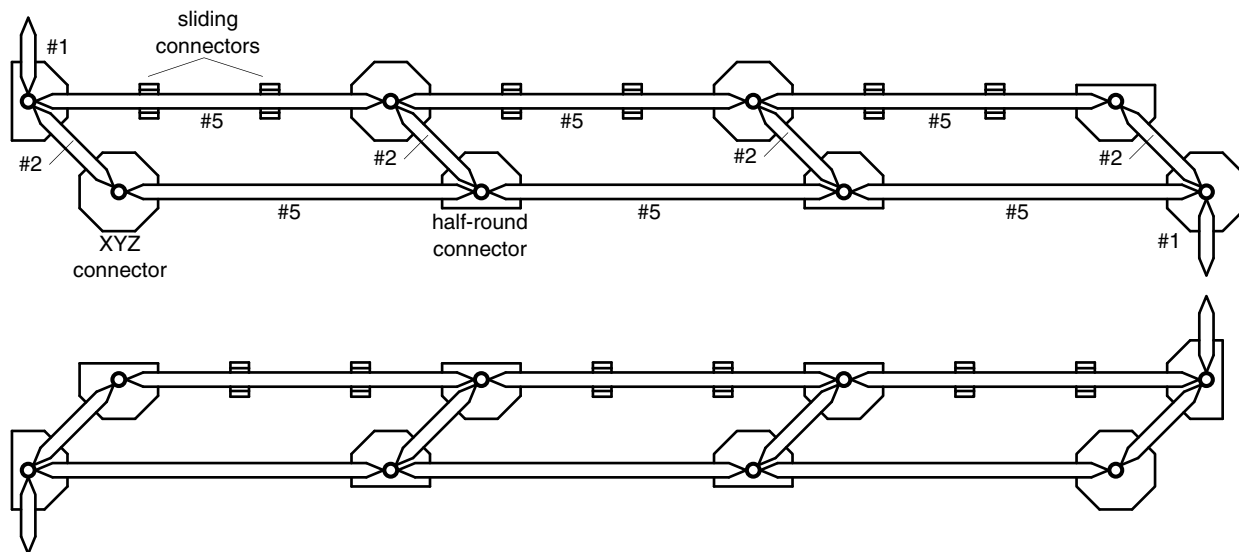
Where Δv is the change in velocity from one photogate to the next, and Δt is the time elapsed as the car travels between gates.

Building the apparatus

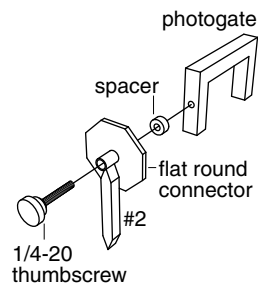
Follow the steps below to build this track.



1. Build the sides of the structure as illustrated below.



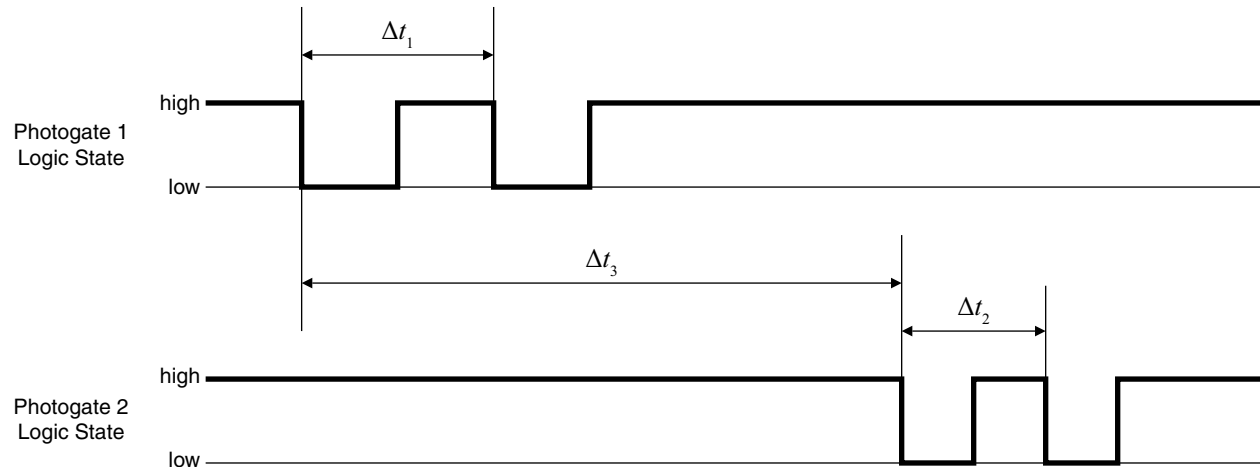
2. Use 14 #3 beams as struts to connect the two sides.
3. Clip the track to the upper struts using 10 track clips.
4. Attached the starter bracket to the track.
5. Build two photogate brackets as illustrated (right) and attach them to the structure.
6. Stretch a rubber band between the posts at the lower end of the track to form a bumper.



- Attach the photogate flag to the car.

Sensor setup

You will use the photogates to measure the acceleration of the car. As the double-flag on the car passes through each photogate, the logic state of the photogate pulses low twice, as illustrated.



Connect the photogates to your computer interface (or other timing device). Set up the software to record and display the logic states of both photogates as a function of time (see note 1 on page 65).

Pre-lab questions

- The distance between the leading edges of the double flag is d . In terms of d , Δt_1 and Δt_2 , write equations for the velocity (v_1) of the car as it passes through the first photogate, and the velocity through the second photogate (v_2).
- In terms of v_1 , v_2 , and Δt_3 , write an equation for the acceleration of the car (a). Assume a is constant between the photogates.
- What are the forces acting on the car? Draw a free-body diagram.
- How will increasing the angle of the track affect the acceleration of the car? Explain your reasoning.
- Keeping the track at a constant angle, how will increasing the mass of the car affect the acceleration? Explain your reasoning.
- Keeping the track at a constant angle, how will changing the initial velocity or starting point of the car affect the acceleration? Explain your reasoning.
- Assuming that there is no friction acting on the car, write an equation relating the acceleration of the car (a) to the angle of the track (θ).
- If you plot a versus $\sin(\theta)$, what value would you expect the slope of the graph to be? Explain your reasoning.

Procedure

- Start data recording.

2. Place the car in the starter bracket and let it roll down the track through both photogates. Stop the car before it bounces back through the photogates.
3. Stop data recording.
4. From your recorded photogate data, determine Δt_1 , Δt_2 , and Δt_3 . Calculate v_1 , v_2 , and a . Write all of these in a table.
5. Use a meter stick to measure the “rise” and “run” of the track. Calculate the angle, θ and write it in your table.
6. Change the angle of the track and repeat steps 1 through 5. Record data for five different angles.

Analysis

1. Calculate the acceleration, a , for each track angle and write it in your table.
2. Calculate $\sin(\theta)$ for each track angle and write it in your table.
3. Make a graph of a versus $\sin(\theta)$. What is the slope of the best-fit line? Is the value of the slope what you expected? If not, discuss why.

Further study

Predict how your results would change if you repeated the experiment with each of the following changes. Explain your predictions.

- Add mass to the car.
- Start the car in a different location on the track.
- Change the distance between the photogates.
- Start the cart at the bottom of the incline and launch it up hill.

Test one of your predictions.

Experiment 2: Newton's second law

Required equipment from Physics Structures Set	Quantity	
#2 beams	10	
#3 beams	19	
#5 beams	12	
Half-round connectors	11	
XYZ connectors	6	
Flat round connector	1	
Sliding connectors	12	
Track clips	10	
Track (90 cm length)	1	
Car	1	
Car masses	2	
Starter bracket	1	
Super Pulley	1	
#10 Rubber band	1	
Spacer	1	
1/4-20 thumbscrew	1	
Thread (about 1 m)	1	
Other required equipment		Suggested Model Number
Mass and hanger set	1	ME-8979
Photogate	1	ME-9498A
Interface or data logger	1	various
Digital adapter (if using a PASPORT interface)	1	PS-2159

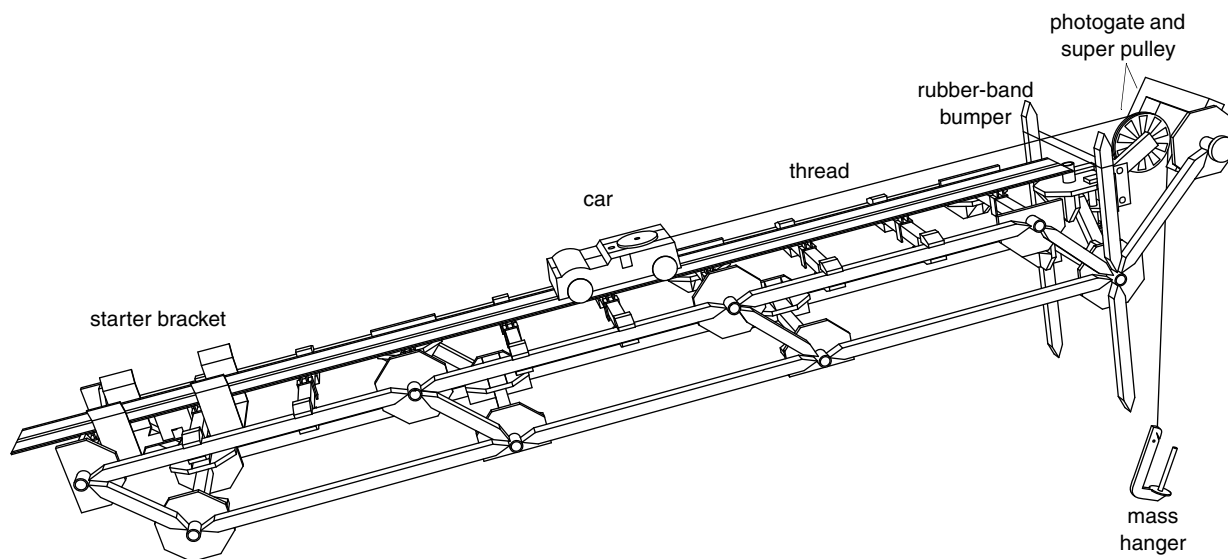
Introduction

For this lab, you will build a track with a pulley at one end. A thread running over the pulley will connect the car to a hanging mass. A photogate on the pulley will allow you to record the speed of the car and hanging mass as they move.

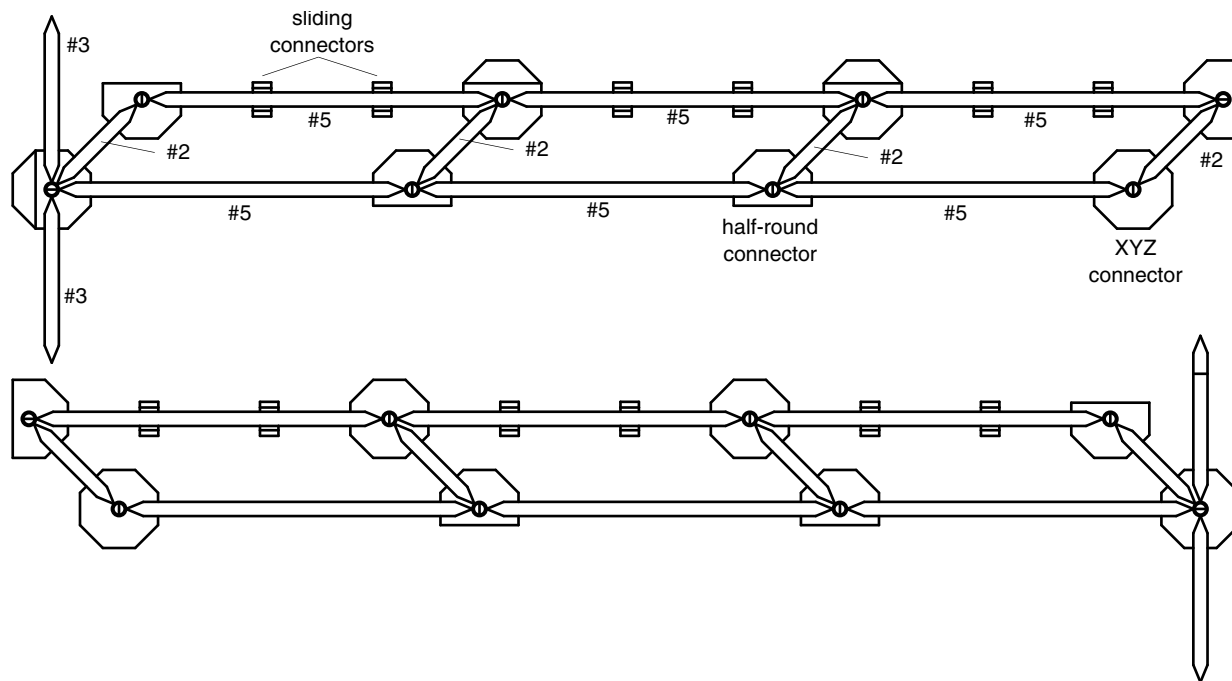
You will measure the acceleration of the car for various values of hanging mass. Then you will use your data do predict the hanging mass that will cause the car to move at constant velocity.

Building the apparatus

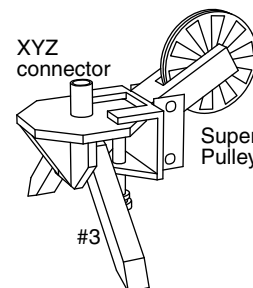
Follow the steps below to build this track.



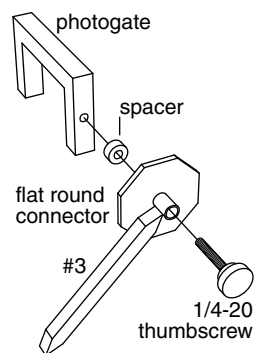
1. Build the sides of the structure as illustrated below.



2. Use 14 #3 beams as struts to connect the two sides.
3. Build a pulley bracket as illustrated (right) and attach it to the end of the structure.
4. Clip the track to the upper struts using 10 track clips. Adjust the track to make it as straight as possible.
5. Attached the starter bracket to the track.



- Build a photogate bracket as illustrated (right) and attach it to the structure.
- Stretch a rubber band between the posts at the end of the track to form a bumper.
- Add both masses to the car (so the car has a total of about 100 g added to it).
- Tie an 80 cm length of thread to the car. Attach a mass hanger to the other end of the thread. Place the car on the track with the tread running over the pulley.
- Adjust the position of the pulley so that thread is parallel to the track. Adjust photogate so that its beam is interrupted by the spokes of the pulley.



Sensor setup

You will use the photogates and pulley to measure the speed of the car and hanging mass as they move.

Connect the photogates to your computer interface (or other timing device). Set up the software to record the linear velocity of the pulley and to display a graph of velocity versus time (see note 2 on page 65).

Pre-lab questions

- What are the forces (including friction) acting on the car? Assume that the hanging mass is enough to pull the car up the incline. Draw a free-body diagram.
- How will increasing or decreasing the hanging mass affect the acceleration of the car? Explain your reasoning.
- Write an equation predicting the acceleration of the car (a) in terms of the mass of the car (m_c), the angle of the track (θ), the hanging mass (m_h), the force of friction acting on the car (F_f), and the acceleration of gravity (g). Assume that $a \ll g$ and approximate the tension of the tread as equal to the weight of the hanging mass.
- Would you expect the graph of a versus m_h to be linear? Explain your reasoning?

Procedure

- Add 15 g to the mass hanger so the total hanging mass (including the hanger) is 20 g. This should be enough to pull the car up the incline; if it isn't, add another 5 g.
- Place the car in the starter bracket and hold it in place.
- Release the car and start data recording at the same time. Stop data recording before the car hits the bumper and before the hanging mass touches the floor.
- On the velocity versus time graph, find the best-fit line and write it in a table.
- Write the hanging mass and the slope of the best-fit line in the table.
- Add 1 g to the hanging mass.
- Repeat steps 2 through 6 to collect data for at least 5 more values of hanging mass, increasing the mass by 1 g each time.

Analysis

1. On the velocity (v) versus time (t) graph, what is the physical meaning of the slope?
2. Make a graph of acceleration (a) versus hanging mass (m_h).
3. From the graph, predict the hanging mass that will cause the car to move at a constant velocity. Make the hanging mass this value and test your result (give the car a tap to start it moving just before you start recording data). Does the car move at a constant velocity?

Further study

- Repeat the experiment with less hanging mass so that the car moves down the incline. (Keep $|a| \ll g$.) Do you find the same value of friction? Is the direction of the frictional force the same? What is the value of the hanging mass required to make the car move at constant velocity down the incline? How does it compare to the hanging mass for constant velocity up the incline?
- Repeat the experiment with the track at a different angle of incline. Do you find the same value of friction?

Experiment 3: Projectile motion

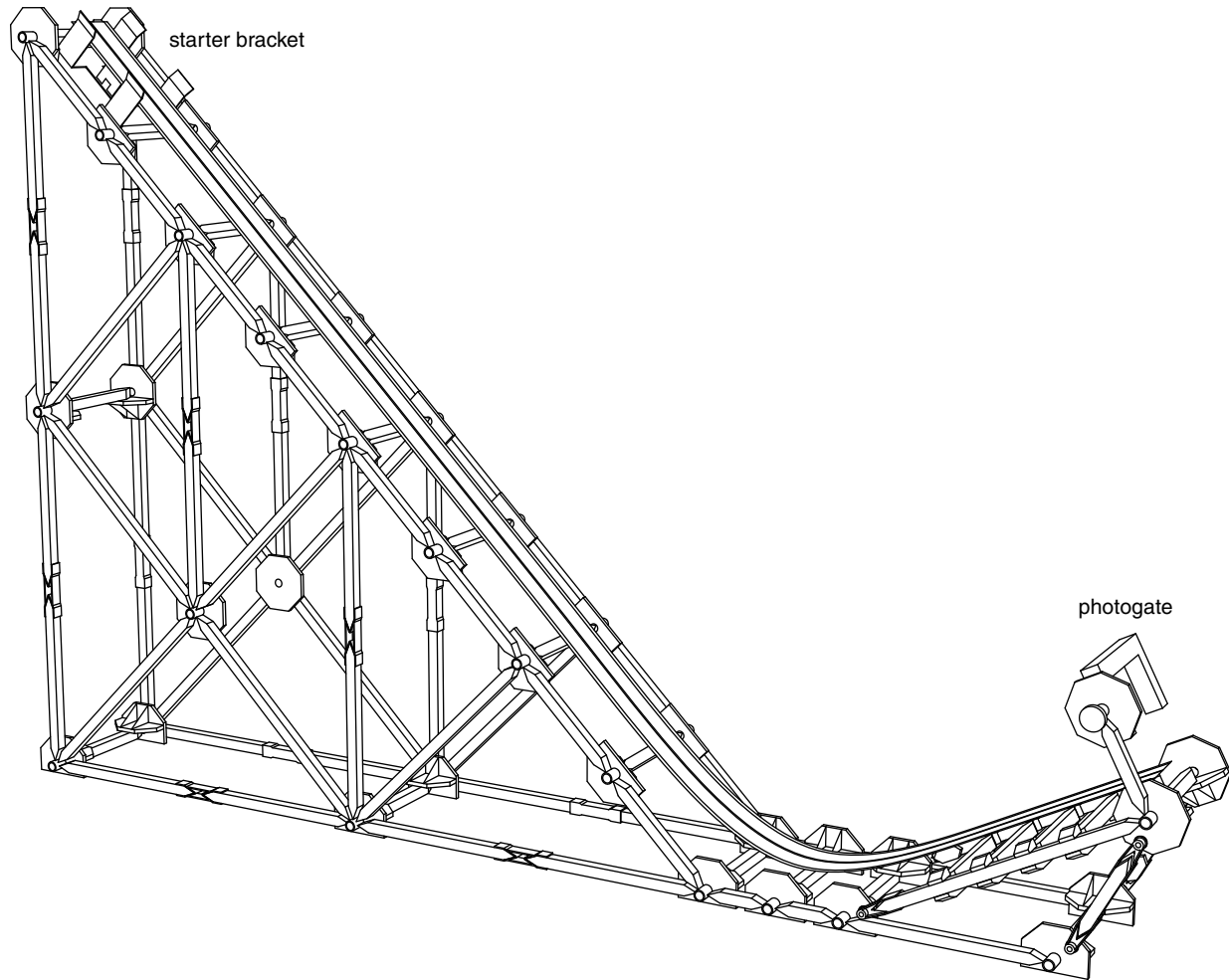
Required equipment from Physics Structures Set	Quantity	
#1 beams	4	
#2 beams	3	
#3 beams	36	
#4 beams	26	
#5 beams	14	
Half-round connectors	26	
XYZ connectors	6	
Flat round connectors	3	
Sliding Connectors	8	
Angle connectors	6	
Straight connectors	12	
Track clips	14	
Track (215 cm length)	1	
Car	1	
Flag	1	
Starter bracket	1	
Spacer	1	
1/4-20 thumbscrews	1	
Other required equipment		Suggested Model Number
Photogate	1	ME-9498A
Interface or data logger	1	various
Digital adapter (if using a PASPORT interface)	1	PS-2159
Meter stick	1	SE-8827

Introduction

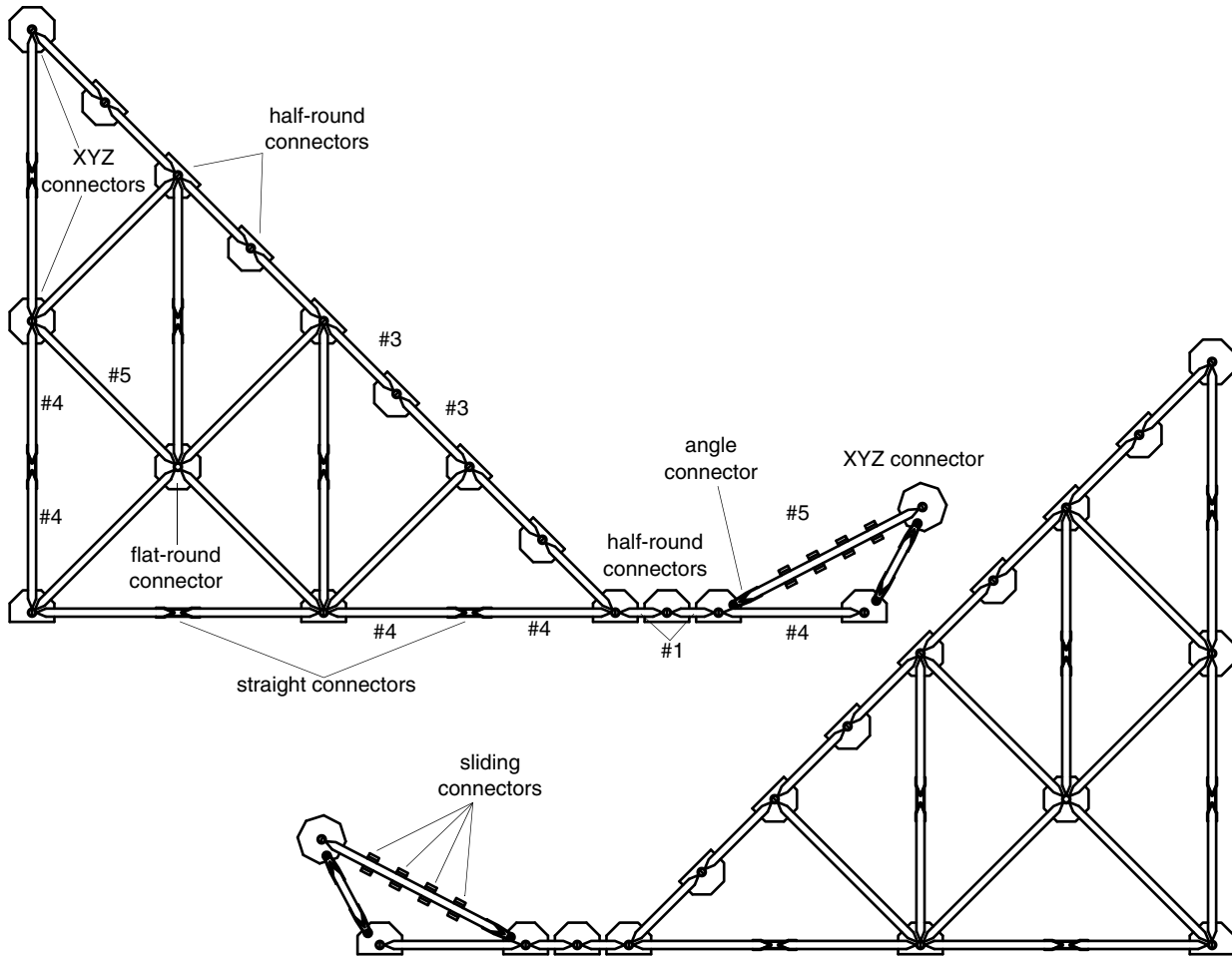
For this lab, you will launch a car from the end of a track and measure the speed with a photogate. Using the launch speed, the angle of the track, and the height of the end of the track, you will predict where the car will hit the floor. Then you will test your prediction.

Building the apparatus

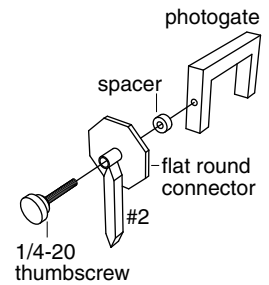
Follow the steps below to build this track.



1. Build the sides of the structure as illustrated below.

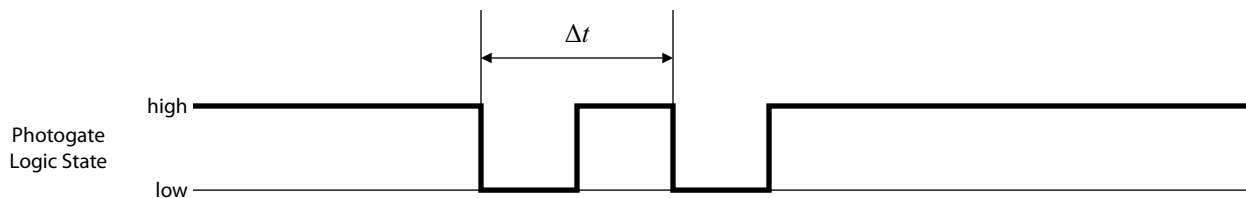


2. Use 20 #3 beams as struts to connect the two sides.
3. Clip the track to the upper struts using 14 track clips.
4. Attached the starter bracket to the track.
5. Build a photogate bracket as illustrated (right) and attach it to the structure.
6. Attach the photogate flag to the car.



Sensor setup

You will use the photogate to measure the speed of the car. As the double-flag on the car passes through the photogate, the logic state of the photogate pulses low twice, as illustrated.



Connect the photogate to your computer interface (or other timing device). Set up the software to record and display the logic state as a function of time (see note 1 on page 65).

Pre-lab questions

1. The distance between the leading edges of the double flag is d . In terms of d and Δt , write an equation for the magnitude of velocity (v) of the car as it passes through the photogate.
2. At the end of this lab, you will put the track structure on the floor. The car will leave the end of the track and land on the floor. In terms of the height of the end of the track (y_0), the angle of the last section of track (θ), the magnitude of velocity of the car as it leaves the track (v_0), and the acceleration of gravity (g), write an equation for the horizontal distance (d) from the end of the track to the point where the car lands on the floor.

Procedure

1. Start data recording.
2. Place the car in the starter bracket and let it roll off the end of the track. Have a partner catch the car after it passes through the photogate.
3. From the photogate data, determine Δt and write it in a table.
4. Repeat steps 2 and 3 to measure Δt several more time. Release the car from the same location every time.
5. Stop data recording.
6. Use a meter stick to measure the “rise” and “run” of the last section of track. Calculate the angle, θ .
7. Measure the height of the end of the track, y_0 .

Analysis

1. Calculate the average launch speed of the car.
2. Unplug the photogate and place the track structure on the floor. Use the data that you collected to predict where the car will land. Use tape to mark this location on the floor.
3. Test your prediction. Does the car land where you predicted?

Further study

Modify the track to make the car jump further. How far can you make it go?

Experiment 4: Forces in an Elevator

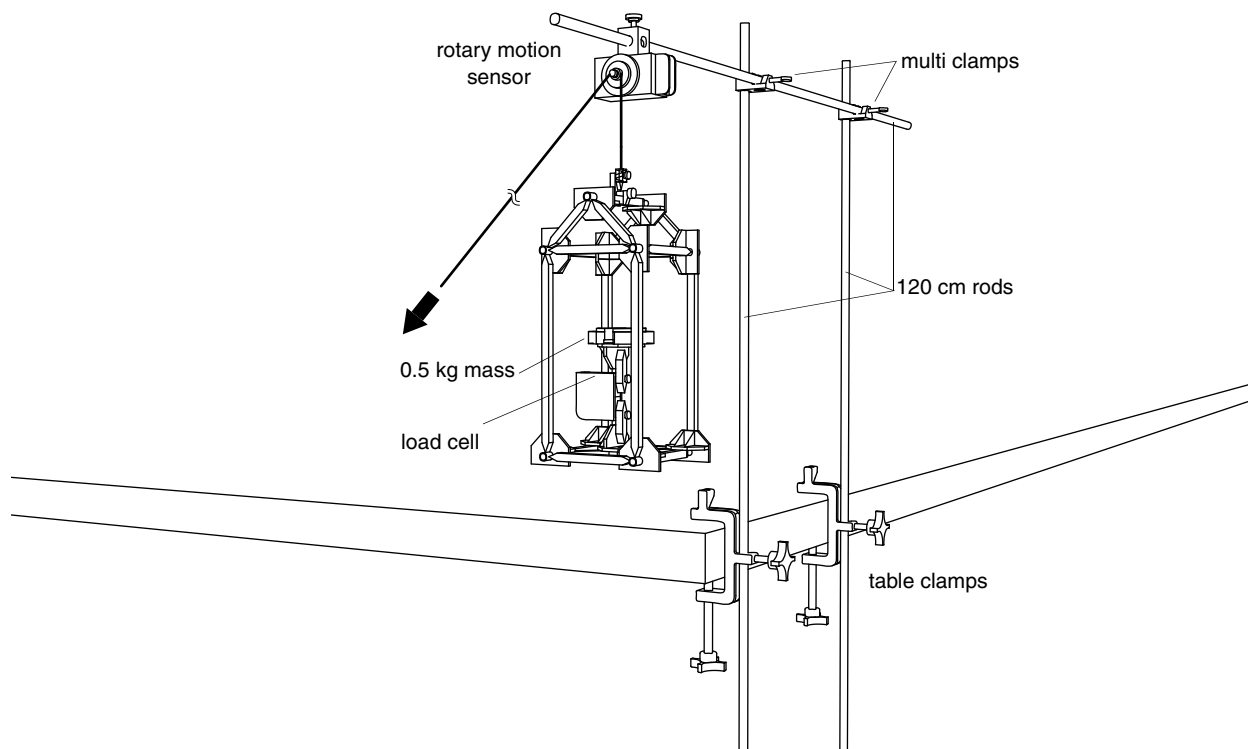
Required equipment from Physics Structures Set	Quantity	
#1 beams	2	
#2 beams	8	
#3 beams	9	
#5 beams	4	
Half-round connectors	10	
XYZ connectors	2	
Sliding connector	1	
Cord tensioning clip	1	
Braided nylon cord	2 m	
Other required equipment		Suggested Model Number
Large Slotted Mass Set (1 mass from the set needed)	1	ME-7566
120 cm Rods	3	ME-8741
Large Table Clamps	2	ME-9472
Multi Clamps	2	SE-9442
100 N Load Cell	1	PS-2200
Dual Load Cell Amplifier	1	PS-2205
Rotary Motion Sensor (with included 3-step pulley)	1	PS-2120
Interface or data logger (for 2 sensors)	1	various

Introduction

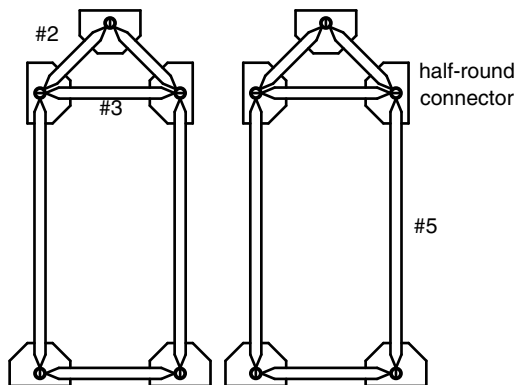
In this lab, you will explore the force acting on a mass in an elevator and compare it to the position and acceleration of the elevator as it moves.

Building the apparatus

Follow the steps below to build this apparatus.

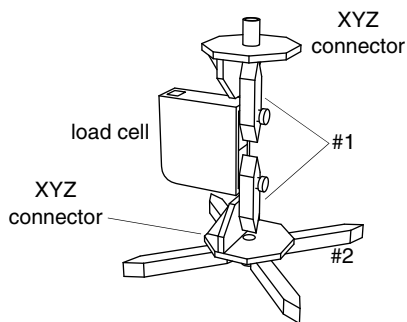


1. Build the two sides of the elevator as illustrated below.

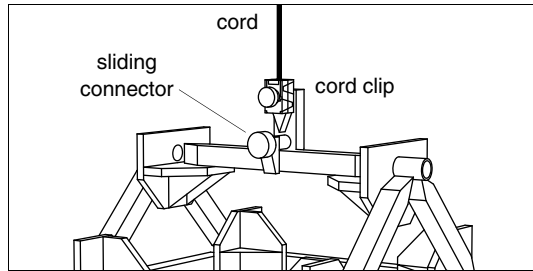


2. Use 5 #3 beams as struts to connect the sides of the elevator.

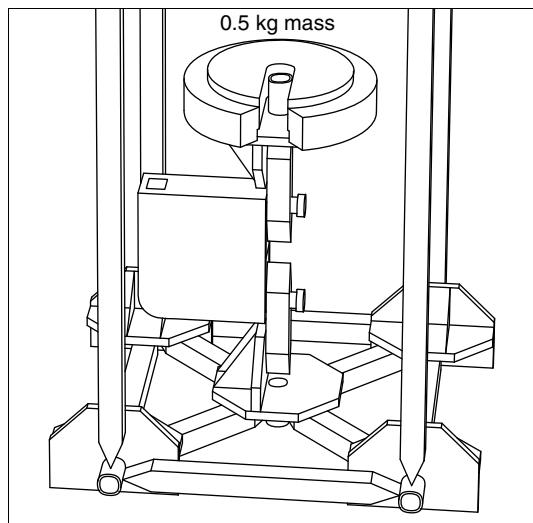
3. Build the mass-holder assembly and attached it to the elevator.



- Cut at 2 m length of cord. Use a cord clip and a sliding connector to attach it to the top beam of the elevator.



- Mount the 3-step pulley on the Rotary Motion Sensor.
- Use three rods, two table clamps, and two multi clamps to assemble the apparatus as illustrated on the previous page. Lower the elevator to the floor.
- Place a 0.5 kg mass on the mass holder in the elevator.



Sensor setup

You will use the rotary motion sensor (RMS) to measure the position, speed, and acceleration of the elevator. The load cell will measure the normal force on the 0.5 kg mass.

- Connect the RMS to your computer interface. Set up the software to record and display linear position, velocity, and acceleration with the cord over the smallest step of the three-step pulley (see note 3 on page 65).
- Connect the load cell in the elevator to port 1 of the load cell amplifier. Connect the load cell amplifier to your computer interface. Set up the software to record and display force (see note 5 on page 66).
- Set the sampling rate of both sensors to 20 Hz.
- Lift the mass off the load cell and press the zero button on the load cell amplifier. Replace the mass.

Pre-lab questions

1. Sketch a graph to predict the force that the load cell will measure as the elevator starts at rest on the floor, begins to travel up, travels up at constant speed, and comes to rest near the top of the apparatus.
2. Predict the normal force acting on the mass under the following conditions: elevator at rest, elevator moving at constant velocity.
3. The elevator will start at rest on the floor, then start moving up, and come to rest near the top of the apparatus. Predict where the mass will experience the maximum and minimum normal force.

Procedure

1. Make sure that the cord is running over the smallest step of the pulley. Pull the elevator slightly off the floor.
2. Have a partner start data recording.
3. Pull the elevator up to the top of the apparatus and bring it to a stop before it hits the pulley.
4. Have a partner stop data recording.
5. Lower the elevator back to the floor.
6. Repeat the procedure several times to try out different ways of moving the elevator. Record data runs with the elevator moving at different speeds, and starting or stopping more suddenly or more gradually. Record at least one data run in which you try to make the elevator move at constant velocity for part of its journey.

Analysis

1. When the elevator was not moving, what was the magnitude of the normal force acting on the mass? What direction was this force? How do you know?
2. When the mass experienced the maximum normal force, where was the elevator? What was the elevator's acceleration. Using words, describe the elevator's motion at this point.
3. When the mass experienced the minimum normal force, where was the elevator? What direction was the normal force on the mass? What was the elevator's acceleration? Using words, describe the elevator's motion at this point.
4. Find a point in your data where the elevator was moving at constant velocity. What was the normal force on the mass? How does it compare to the normal force when the elevator was stationary?

Further study

Repeat the experiment with the elevator moving down instead of up.

Experiment 5: Roller Coaster

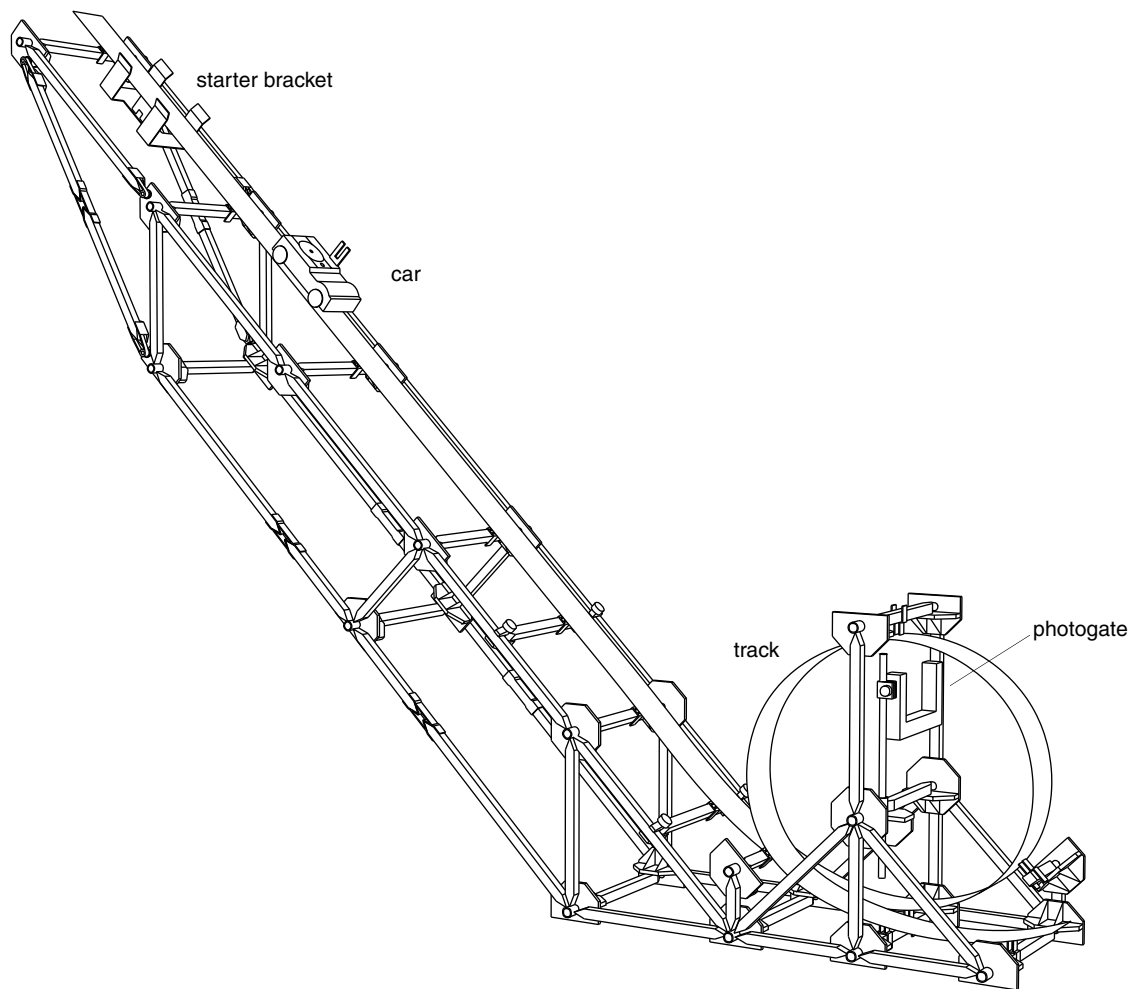
Required equipment from Physics Structures Set	Quantity	
#1 beams	2	
#2 beams	2	
#3 beams	13	
#4 beams	28	
#5 beams	14	
Half-round connectors	25	
XYZ connectors	3	
Flat round connectors	1	
Sliding connectors	4	
Angle connectors	10	
Straight connectors	6	
Starter bracket	1	
Medium axle	1	
Track (250 cm or both sections joined with a coupler)	1	
Track coupler (if track has been cut)	1	
Other required equipment		Suggested Model Number
Large Slotted Mass Set	1	ME-7566
Photogate	3	ME-8741
Interface or data logger (for 2 sensors)	1	various
Digital adapter (if using a PASPORT interface)	1	PS-2159

Introduction

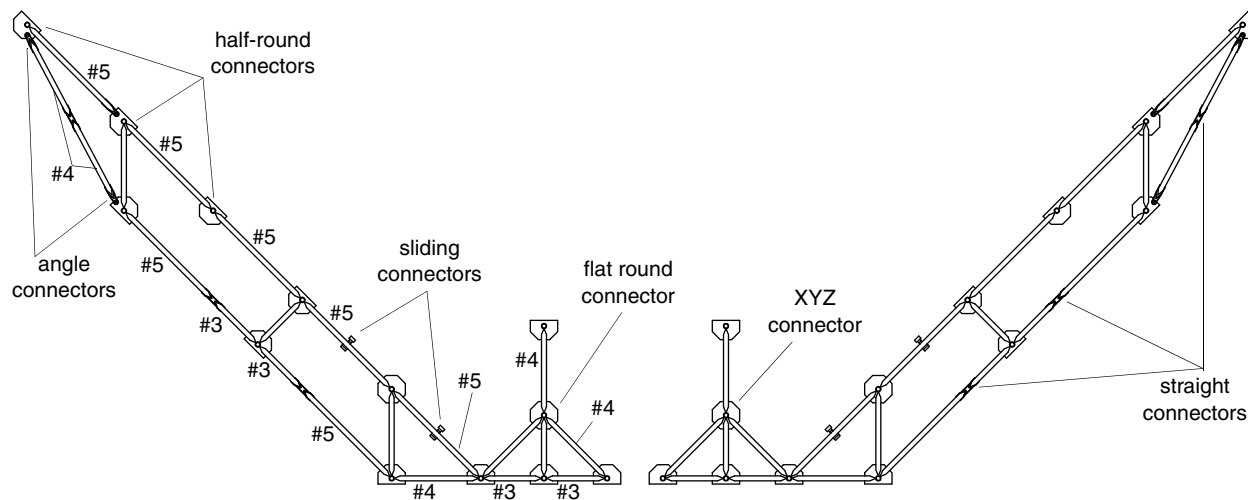
In this lab, you will build a roller coaster with a loop. You will predict the minimum speed needed for the car to go around the loop without falling off. Then you will test your prediction by using a photogate to measure the car's speed at the top of the loop.

Building the apparatus

Follow the steps below to build this apparatus.

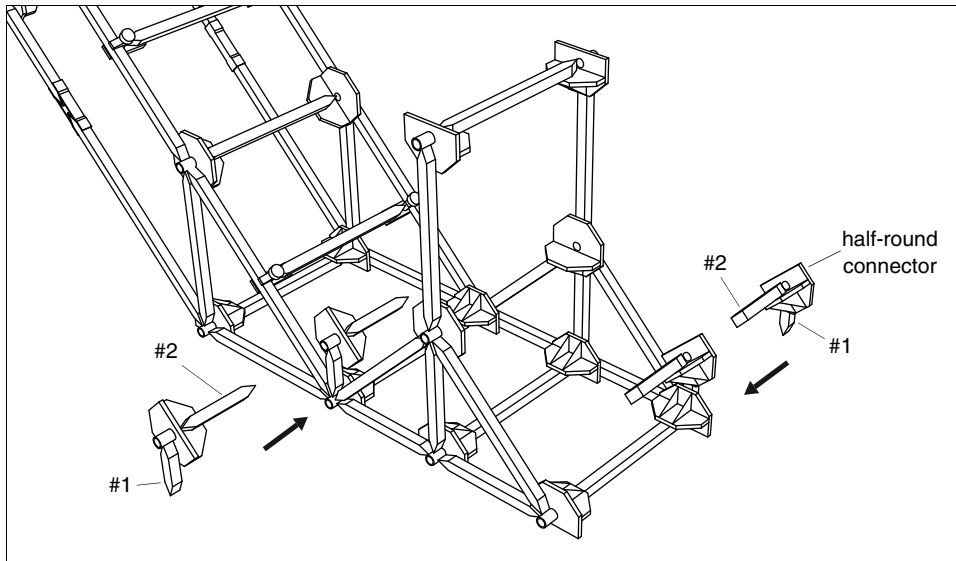


1. Build the two sides of the roller coaster as illustrated below.

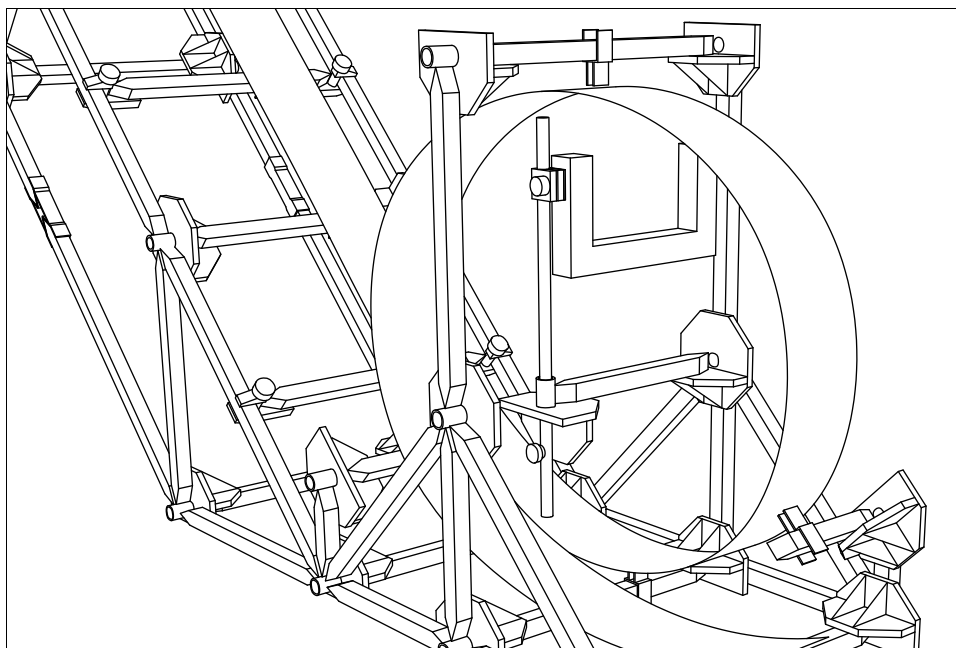
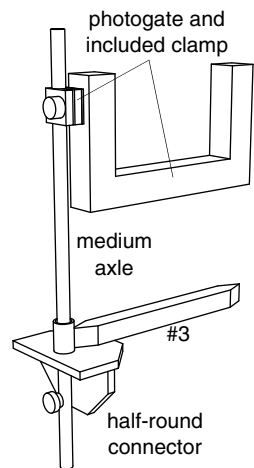


2. Use 14 #4 beams as struts to connect the sides.

3. Place several slotted masses on the base of the structure to weigh it down.
4. Add structures to help support the loop as illustrated.



5. Use 13 track clips to attach the track to the structure. If the track has been cut into two pieces, use the track coupler to rejoin them. Adjust the loop to be as circular as possible. Adjust the section of the track approaching the loop so that it has no convex curve (otherwise the car may jump off the track before it reaches the loop).
6. Attached the starter bracket to the track.
7. Build a photogate bracket as illustrated (right) and attach it to the structure. Use the clamp included with the photogate to attach the photogate to the axle.

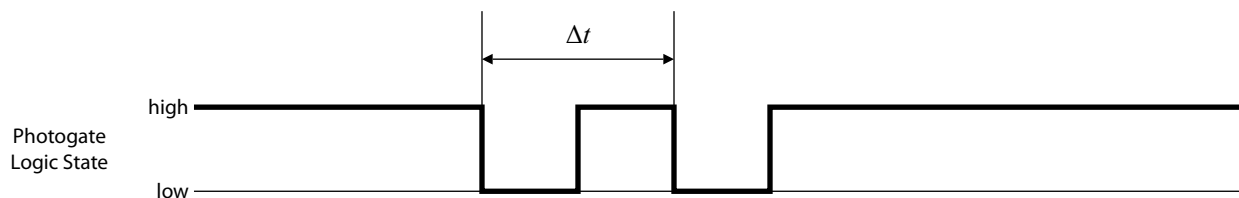


8. Attach the photogate flag to the car.

- Place the car in the starter bracket and let it go down the track. Have a partner catch the car at the end of the track. Make any adjustments needed to allow the car to successfully go around the loop.
- Hold the car at the top of the loop, and adjust the position of the photogate so that the flag will trigger it as the car passes.

Sensor setup

You will use the photogate to measure the speed of the car. As the double-flag on the car passes through the photogate, the logic state of the photogate pulses low twice, as illustrated.



Connect the photogate to your computer interface (or other timing device). Set up the software to record and display the logic state as a function of time (see note 1 on page 65).

Pre-lab questions

- Measure the height of the starter bracket, the height and radius of the loop, and any other important dimensions. Predict the speed of the car at the top of the loop after it has been released from the starter bracket. Explain your reasoning.
- Predict the minimum speed that the car will need at the top of the loop to go around the loop without falling off. Explain your reasoning.
- Predict the lowest point on the track from which you will be able to release the car and have it successfully go around the loop. Explain your reasoning.

Procedure

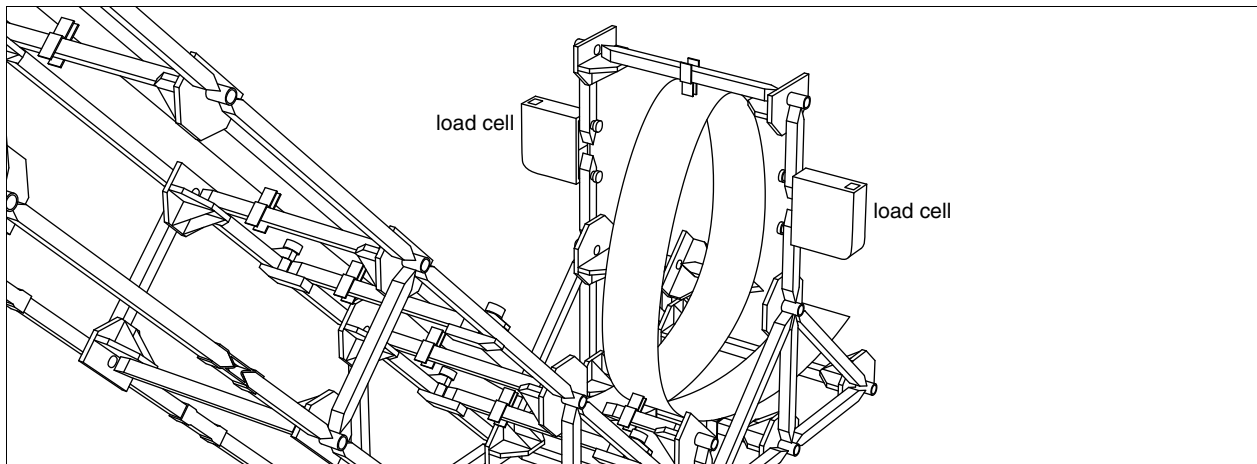
- Without recording data, release the car from various points on the track. Have a partner catch the car at the end of the track. Find the lowest point from which you can release the car and have it go around the loop. Mark this point on the track with tape, erasable marker, or pencil. Measure and record the height of this point.
- Start data recording.
- Place the car in the starter bracket and let it go down the track. Have a partner catch the car at the end of the track.
- With data recording still running, place the car on the track and release it again, this time from several centimeters lower.
- Repeat the previous step several more times, each time releasing the car from lower on the track. The last time, release the car from the point you marked in step 1.
- Stop data recording.

Analysis

1. From your recorded data, determine the speed of the car at the top of the loop each time it went around. Write these speeds in a table.
2. What was the highest speed? How does this compare to your prediction?
3. What was the lowest speed? How does this compare to your prediction?
4. What was the lowest height from which you could release the car? How does this compare to your prediction?

Further study

Add load cells to the structure as illustrated to measure the force exerted by the car on the track.



Experiment 6: Centripetal force

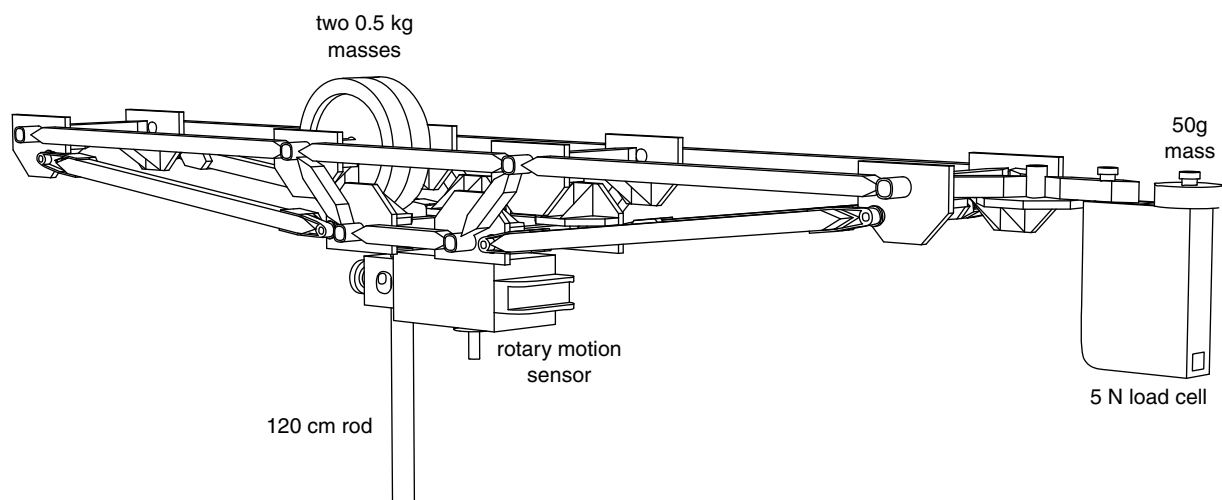
Required equipment from Physics Structures Set	Quantity	
#1 beams	7	
#2 beams	6	
#3 beams	9	
#5 beams	4	
Half-round connectors	12	
Flat round connectors	2	
Angle connectors	8	
Other required equipment		Suggested Model Number
Large Slotted Mass Set (2 masses from the set needed)	1	ME-7566
120 cm Rod	1	ME-8741
Large Table Clamp		ME-9472
5 N Load Cell	1	PS-2200
Dual Load Cell Amplifier	1	PS-2205
Rotary Motion Sensor (with included 6-32 thumbscrew)	1	PS-2120
Interface or data logger (for 2 sensors)	1	various

Introduction

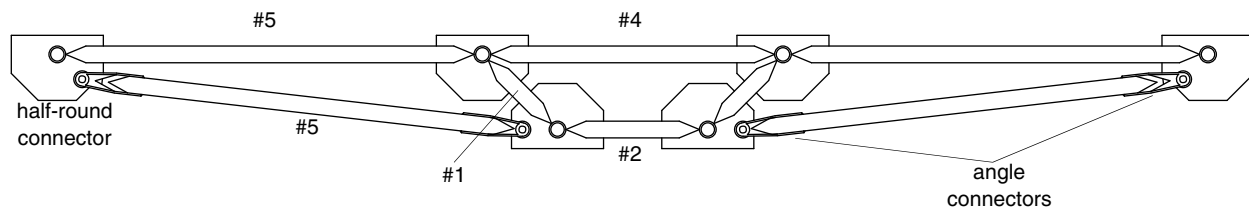
In this lab, you will build an apparatus to measure the force applied to a mass as it moves in a circle. You will discover the relationship between this centripetal force and angular velocity.

Building the apparatus

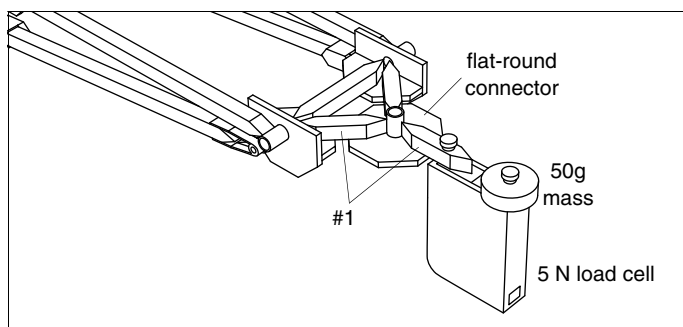
Follow the steps below to build this apparatus.



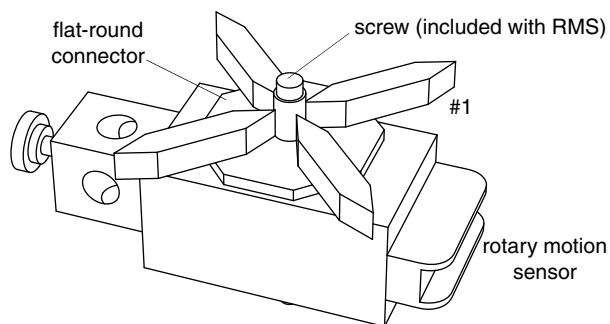
1. Build both sides of the structure as illustrated below.



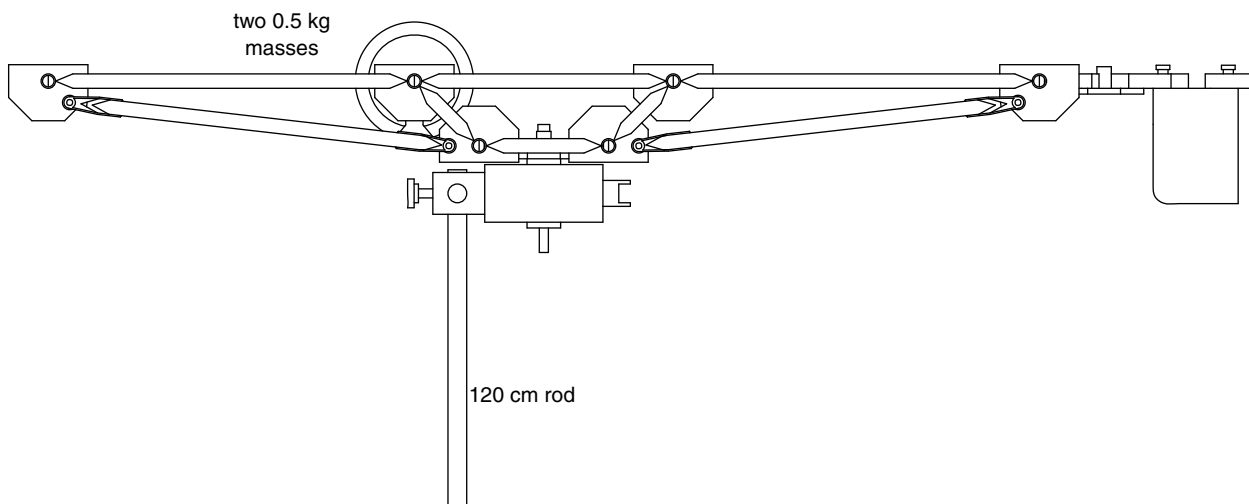
2. Use 6 #2 beams as struts to connect the sides.
3. Use 3 #1 beams and a flat round connector to attach the load cell to one end of the structure and attach a 50 g mass to the load cell as illustrated.



4. Build an attachment bracket on the Rotary Motion Sensor (RMS).



5. Clamp the RMS to a vertical rod. Attach the structure to the RMS. Add two 0.5 kg masses to balance the apparatus.



Sensor setup

You will use the rotary motion sensor (RMS) to measure the rotational velocity of the apparatus. The load cell will measure the centripetal force on the 50 g mass.

1. Connect the RMS to your computer interface. Set up the software to record and display rotational velocity (see note 4 on page 66).
2. Connect the load cell to the load cell amplifier. Set up the software to record and display force (see note 5 on page 66).
3. Set the sampling rate of both sensors to 10 Hz.
4. Press the zero button on the load cell amplifier.

Pre-lab questions

- Sketch a graph to predict the relationship between centripetal force and angular velocity. Do you think the relationship will be linear?

Procedure

1. Have a partner hold the load cell cord so that it will not get in the way when the apparatus spins.
2. Push the apparatus to start it spinning.
3. Start data recording.
4. Allow the apparatus to spin until it stops on its own.
5. Stop data recording.
6. Unwind the cord and repeat the procedure a few times if necessary to generate a clear graph. Try different starting speeds.

Analysis

1. On the graph of force versus angular, find the curve fit that best fits your data.
2. Using the parameters of the curve fit, what can you say about the relationship between centripetal force and angular velocity?

Further study

- Repeat the experiment with a different mass attached to the load cell.
- Repeat the experiment with the mass at a different distance from the axis.

Experiment 7: Impulse and momentum

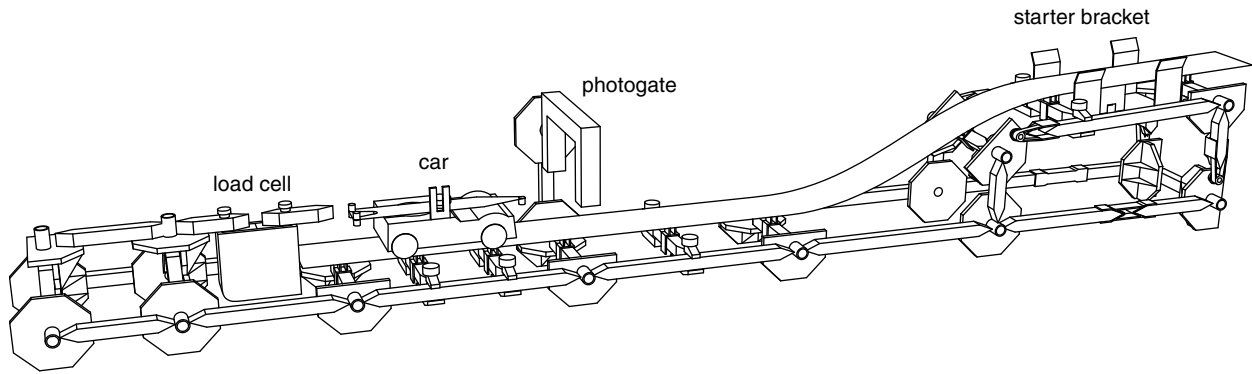
Required equipment from Physics Structures Set	Quantity	
#1 beams	10	
#2 beams	6	
#3 beams	10	
#4 beams	8	
Half-round connectors	12	
XYZ connectors	6	
Flat round connectors	3	
Sliding Connectors	8	
Straight connectors	2	
Angle connectors	8	
Starter bracket	1	
Car	1	
Car bumper with thumbscrew	1	
#8 Rubber band	1	
Spacer	1	
1/4-20 thumbscrew	1	
Track (90 cm length)	1	
Track clips	9	
Other required equipment		Suggested Model Number
100 N Load Cell	1	PS-2200
Dual Load Cell Amplifier	1	PS-2205
Photogate	1	ME-9498A
Interface or data logger (for 2 sensors)	1	various
Digital adapter (if using a PASPORT interface)	1	PS-2159

Introduction

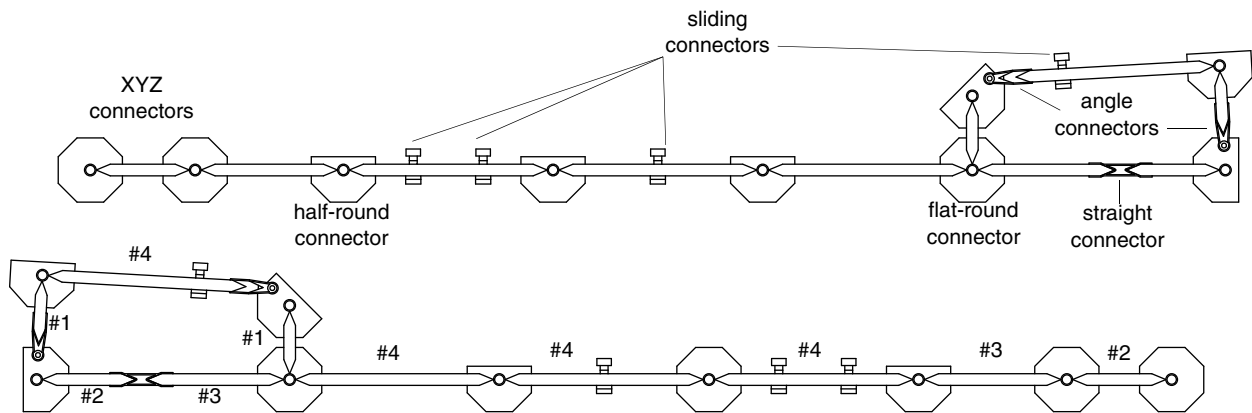
In this lab, a car will collide with a fixed object. You will use a load cell to measure the force exerted on the car during the collision and a photogate to measure the velocity before and after the collision. From these measurements, you will calculate the change in momentum and the impulse of the collision.

Building the apparatus

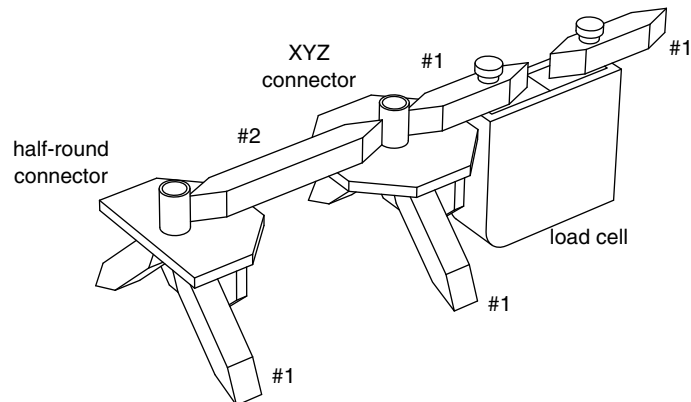
Follow the steps below to build this apparatus.



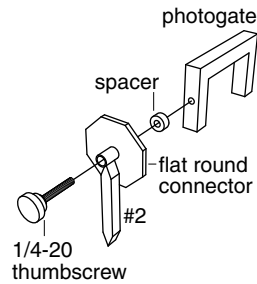
1. Build the sides of the structure as illustrated below.



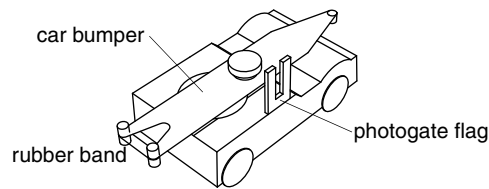
2. Use 10 #2 beams as struts to connect the sides.
3. Use 9 track clips to attach the track to the structure.
4. Attach the starter bracket to the track.
5. Build a load cell bracket as illustrated and attach it to the structure.



- Build a photogate bracket and attach it to the structure.



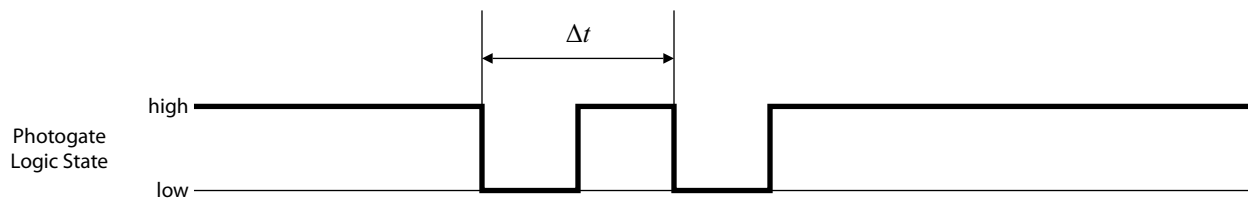
- Attach the bumper and flag to the car. Put a rubber band around the forked end of the bumper.



Sensor setup

Photogate

You will use the photogate to measure the speed of the car. As the double-flag on the car passes through the photogate, the logic state of the photogate pulses low twice, as illustrated.



Connect the photogate to your computer interface (or other timing device). Set up the software to record and display the logic state as a function of time (see note 1 on page 65).

Load cell

- Connect the load cell to the load cell amplifier. Set up the software to record and display force (see note 5 on page 66).
- Set the sampling rate of the load cell to 1000 Hz.
- Press the zero button on the load cell amplifier.

Pre-lab questions

- On the graph of force versus time, the impulse of the collision will be the area under the curve. In terms of m, kg, and s, what are the units of impulse?
- For a car of mass m , with velocity before the collision v_1 , and velocity after the collision v_2 , write the formula for the change in momentum Δp .

3. Measure the mass of the car.

Procedure

1. Start data recording.
2. Place the car in the starter bracket with the rubber band end of the bumper facing down hill. Release the car. Hold the track steady so that it does not move during the collision.
3. Allow the car to collide with the load cell, rebound, and travel back through the photogate.
4. Stop data recording.

Analysis

1. On the graph of force versus time, zoom in on the data collected during the collision. Find the area under the curve; this is the impulse of the collision. Write down this value (with units).
2. Find the velocity of the car before and after the collision. Calculate the change of momentum.
3. Compare the impulse to the change of momentum.

Further study

- Repeat the experiment releasing the car from lower on the track so that the momentum before the collision is lower.
- Repeat the experiment with lump of modeling clay on the bumper instead of the rubber band so that the collision is inelastic.

Experiment 8: Physical Pendulum

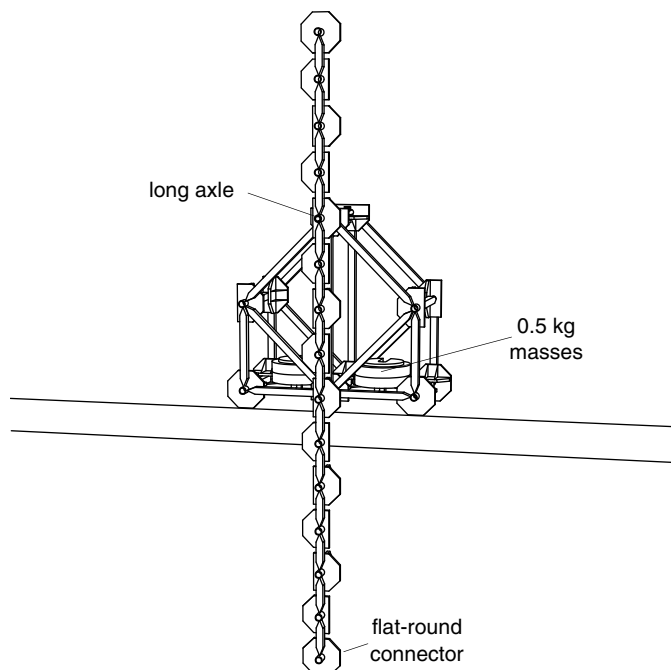
Required equipment from Physics Structures Set	Quantity	
#1 beams	14	
#2 beams	8	
#3 beams	13	
#4 beams	8	
#5 beams	2	
Half-round connectors	21	
XYZ connectors	6	
Flat round connectors	2	
Long axle	1	
Other required equipment		Suggested Model Number
Large Slotted Mass Set (4 masses from the set needed)	1	ME-7566
Stopwatch	1	ME-1234

Introduction

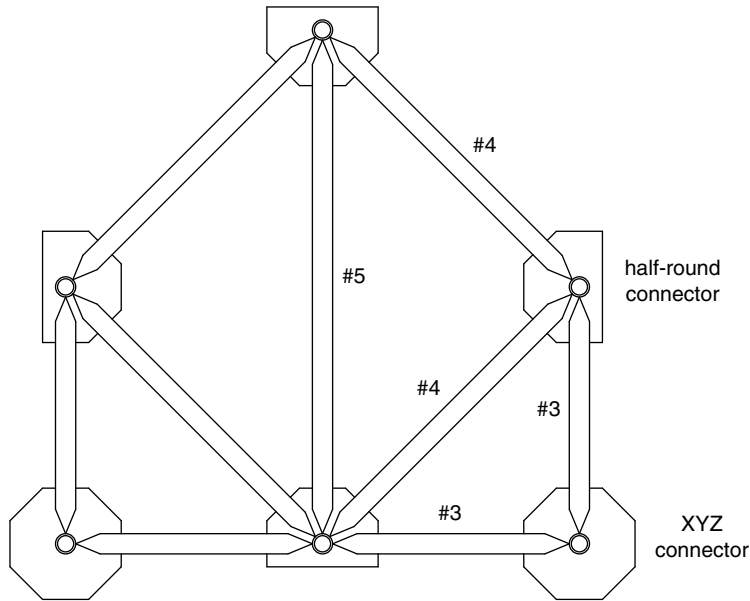
In this lab, you will build a physical pendulum and measure the period of oscillation with the axis at different locations on the pendulum.

Building the apparatus

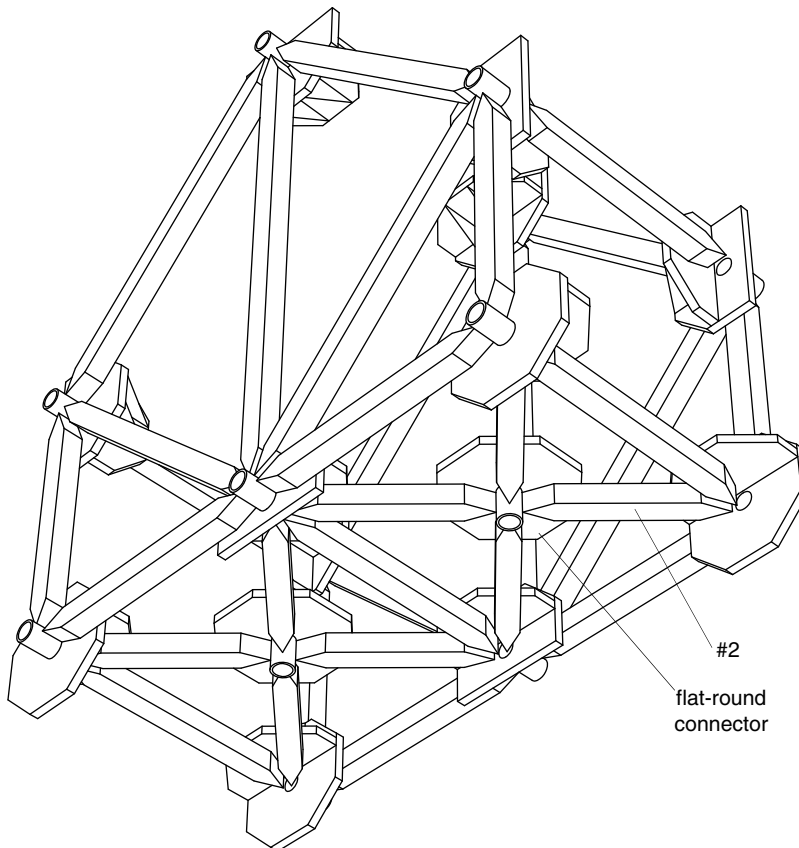
Follow the steps below to build this apparatus.



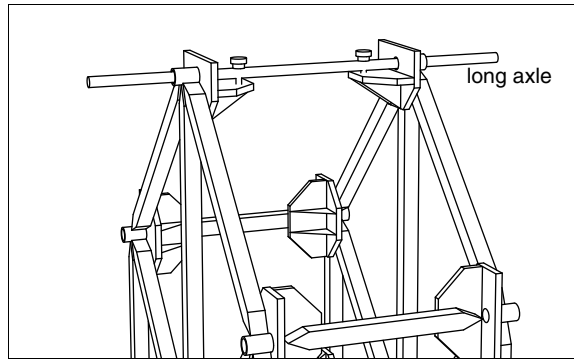
1. Build the sides of the support structure as illustrated below.



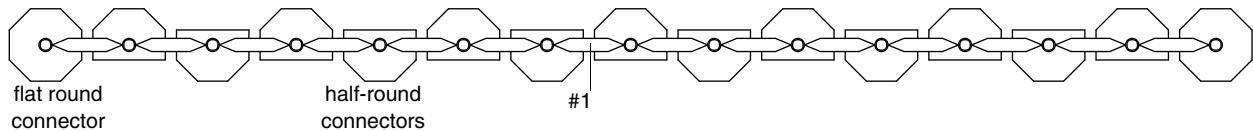
2. Use 5 #3 beams as struts to connect the sides.
3. Use 8 #2 beams and 2 flat round connectors to add cross bracing to the bottom of the structure as illustrated.



4. Add a long axle to the top of the structure.



5. Place the support structure at the edge of a table and place 4 0.5 kg masses on the base to weigh it down.
6. Build the pendulum using 13 half-round connectors and 2 flat round connectors.

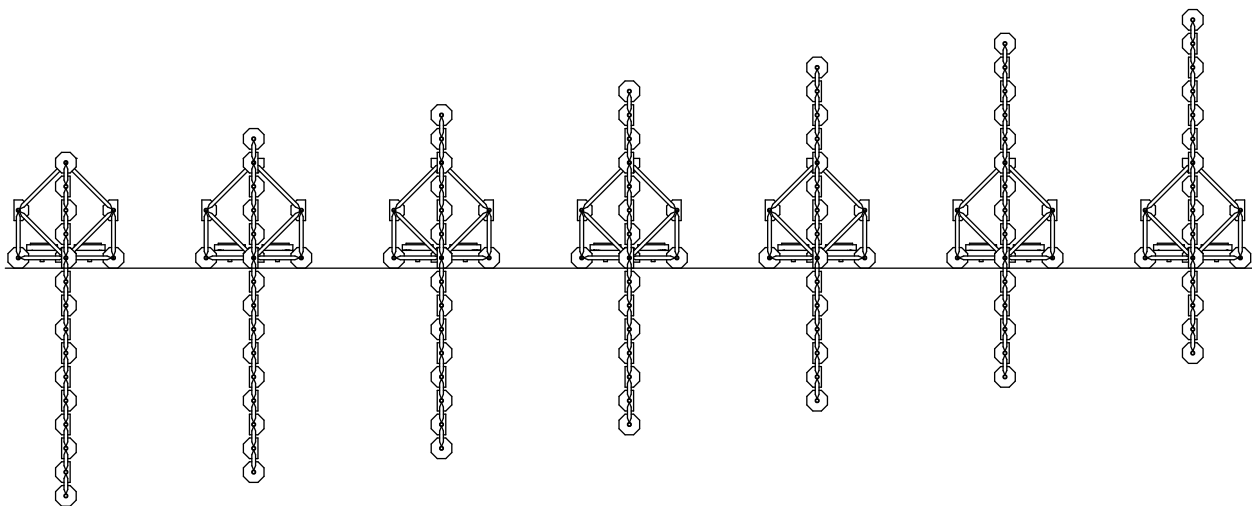


Pre-lab questions

Measure the mass of the pendulum and the location of the holes in all of the connectors. Model the pendulum as a solid rod. Around which hole should the pendulum pivot to achieve the minimum period of oscillation?

Procedure

- Time the period (for small amplitudes) of the pendulum mounted at each of the 7 possible locations.

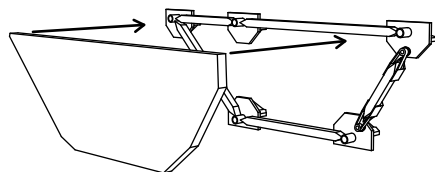


Analysis

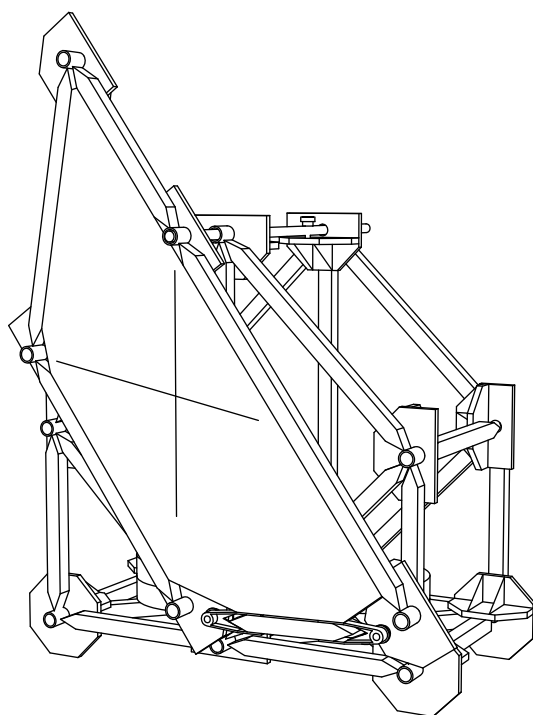
- Make a graph of period versus pivot position. Where did the minimum period occur? How does it compare to your prediction.

Further study

Create a physical pendulum of a different shape using structure parts and foam core board. An example is shown below.



Hang the pendulum from three different pivot locations to find the center of mass. For each pivot location, draw a vertical line down from the pivot. The center of mass is where the lines intersect.



Measure the period (at small amplitudes) about one of the pivots. Use this period and the parallel axis theorem to calculate the rotational inertial of the pendulum about the center of mass. Repeat for another pivot and compare the results.

Experiment 9: Resonance

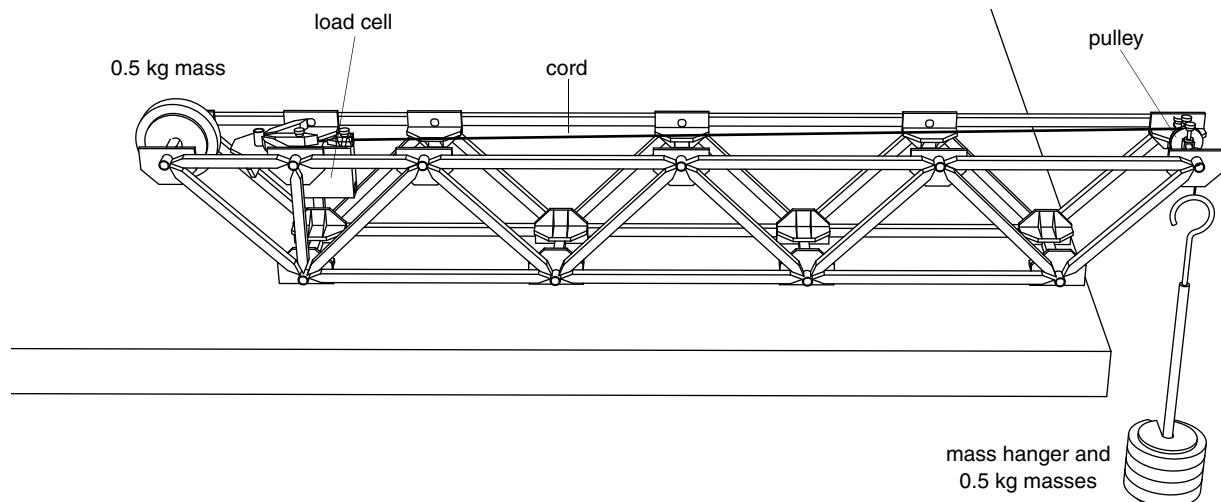
Required equipment from Physics Structures Set	Quantity	
#1 beams	3	
#2 beams	6	
#3 beams	2	
#4 beams	16	
#5 beams	12	
Half-round connectors	20	
Flat round connectors	1	
Short axle	1	
Pulley wheel	1	
Collets	2	
Braided nylon cord, about 1 m	1	
Other required equipment		Suggested Model Number
Large Slotted Mass Set (9 masses and hanger needed)	1	ME-7566
100 N Load Cell	1	PS-2200
Dual Load Cell Amplifier	1	PS-2205
Interface or data logger	1	various

Introduction

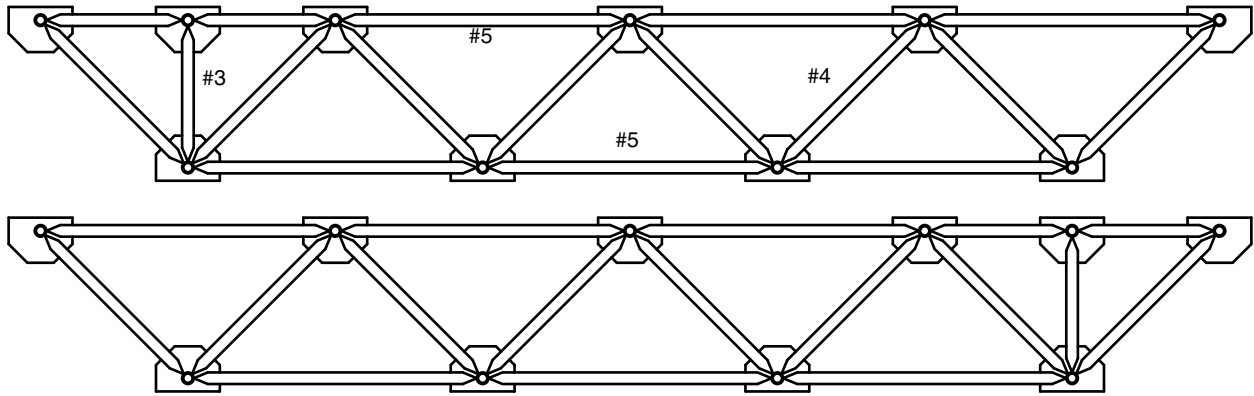
In this lab, you will measure frequency of a vibrating string as you vary the tension.

Building the apparatus

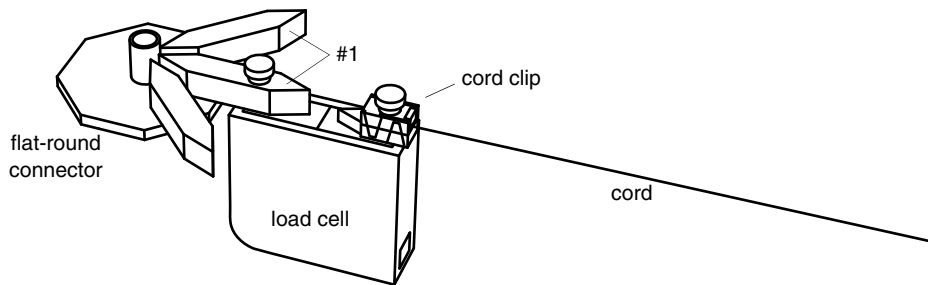
Follow the steps below to build this apparatus.



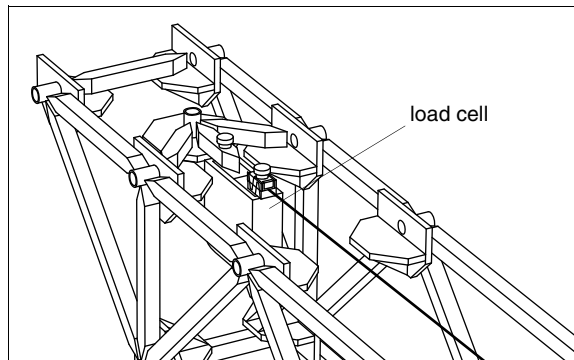
1. Build the sides of the structure as illustrated below.



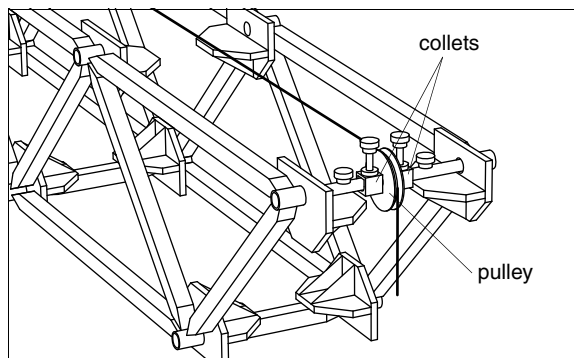
2. Use 5 #2 beams as struts to connect the sides.
3. Assemble the load cell with a bracket and string as illustrated.



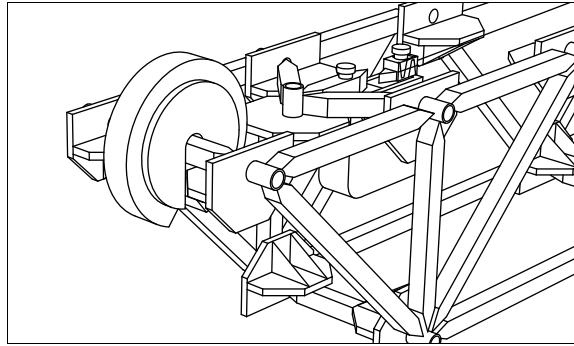
4. Attach the assembly to the structure.



5. At the other end of the structure, add an axle and pulley. Run the string over the pulley.



- Add one 0.5 kg mass to the cross beam at the end of the apparatus to balance it.



- Tie the mass hanger to the free end of the string and add one 0.5 kg mass.

Sensor setup

You will use the load cell to measure the vibration of the string. The software will display a fast Fourier transform (FFT) of the data to show the fundamental frequency.

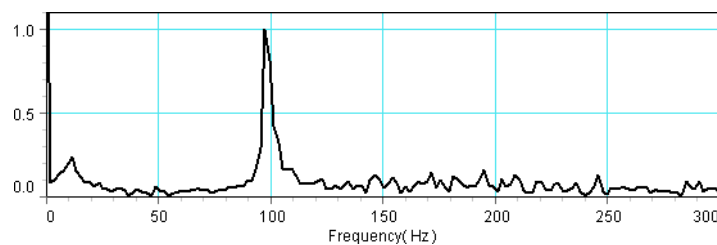
- Connect the load cell to port 1 of the load cell amplifier. Connect the load cell amplifier to your computer interface. Set up the software to display an FFT of force (see note 6 on page 66).
- Lift the hanging mass so that there is no tension on the string and press the zero button on the load cell amplifier. Replace the mass.

Pre-lab questions

- With a total of 1 kg of hanging mass (the hanger plus a 0.5 kg mass), guess the frequency at which the string will vibrate when you pluck it.
- Will increasing the hanging mass cause the frequency to increase or decrease?

Procedure

- Start data monitoring. (With the software displaying an FFT, clicking the **Start** button will make DataStudio monitor and display data, but not record it.)
- Pluck the string. When you see a clear peak on the FFT display, stop data monitoring to “freeze” the display. If you do not see a peak, or do not stop data monitoring at the right moment, pluck the string and try again.



- In a table, write down the hanging mass and the fundamental frequency.
- Add another 0.5 mass.
- Repeat steps 1 through 4 to collect data for 8 different values of hanging mass.

Analysis

1. Calculate the string tension (T) for each value of hanging mass.
2. Make a graph of the fundamental frequency (f) versus T . Is it linear?
3. Now make a graph of f versus \sqrt{T} . Is this linear? Find the best-fit line.
4. The formula for the fundamental frequency of a string is

$$f = \frac{\sqrt{\frac{T}{m/L}}}{2L}$$

where L is the length of the string between the two fixed ends and m is the mass of the string between the two fixed ends. The quantity m/L is the “mass per unit length” of the string. Measure L and use the slope of the best-fit line to predict m .

If you have a balance, cut another length of string equal to the length between the fixed ends and measure its mass to compare to your calculated value.

Further study

- Repeat the experiment with a different string.
- Build a version of the apparatus that allows you to vary the length of the string. Make a graph of f versus L .

Experiment 10: Work and energy

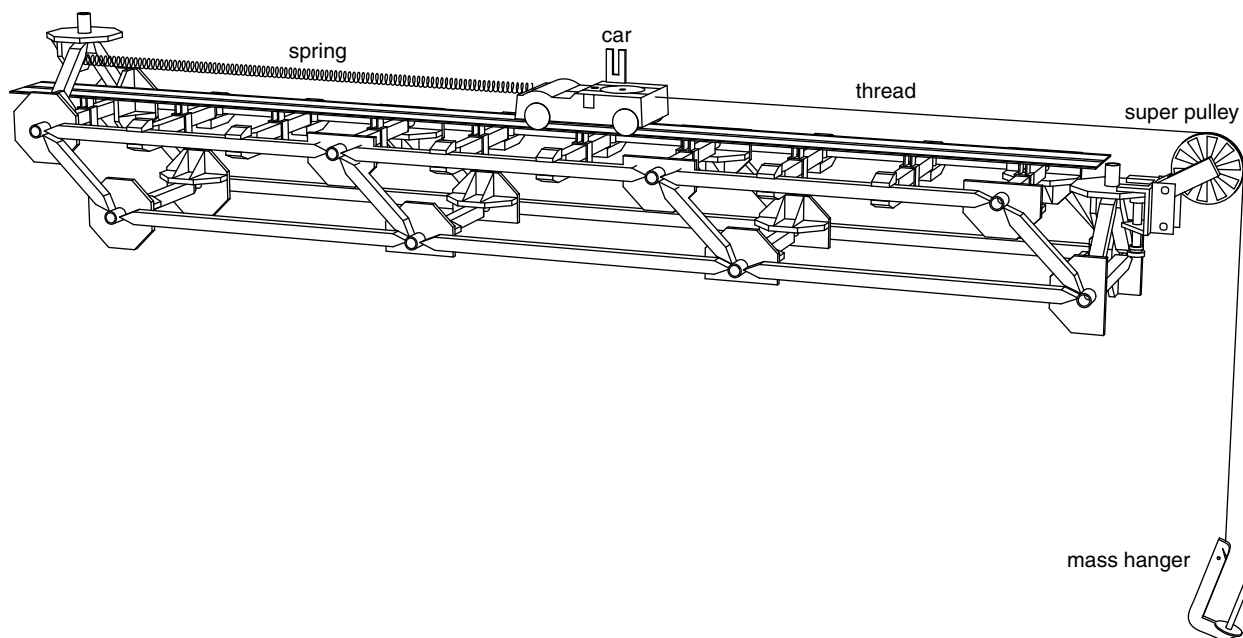
Required equipment from Physics Structures Set	Quantity	
#2 beams	4	
#3 beams	22	
#5 beams	14	
Half-round connectors	15	
XYZ connectors	6	
Sliding connectors	12	
Medium axle	1	
Super Pulley	1	
Spring	1	
Thread (about 1 m)	1	
Car	1	
Photogate flag	1	
Car masses	2	
Track clips	10	
Track (90 cm length)	1	
Other required equipment		Suggested Model Number
Mass and hanger set	1	ME-8979
Meter stick		SE-8827
Balance		SE-8757A
Photogate	1	ME-9498A
Interface or data logger	1	various
Elastic cord (needed for further study only)	1	ME-8986

Introduction

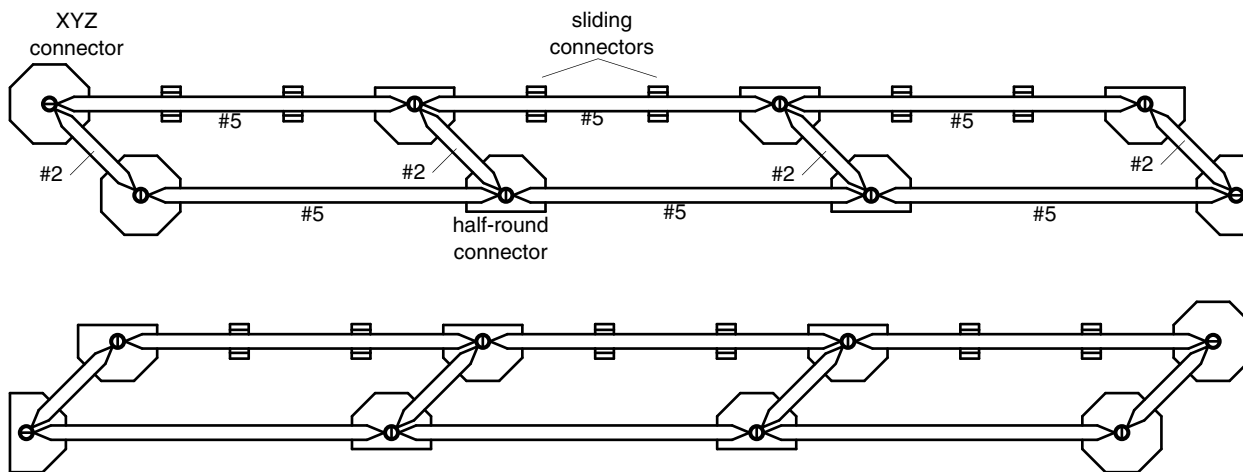
For this experiment you will build a physical system that includes a spring, a car, and a hanging mass. First you will find the work that must be done on the system to displace the car a certain distance along the track. Then you will release the car from this position and find the kinetic energy of the system as the car passes through its equilibrium position.

Building the apparatus

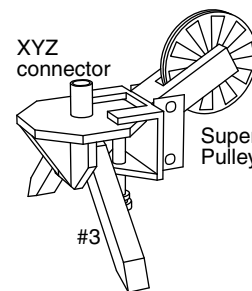
Follow the steps below to build this apparatus.



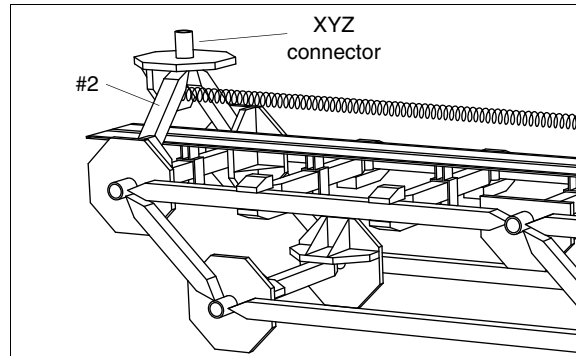
1. Build the sides of the structure as illustrated below.



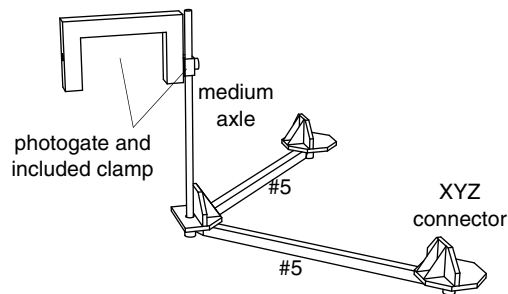
2. Use 14 #3 beams as struts to connect the sides.
3. Build a pulley bracket as illustrated (right) and attach it to the end of the structure.



- On the opposite end of the track, build a bracket as illustrated and use a screw to attach a spring.

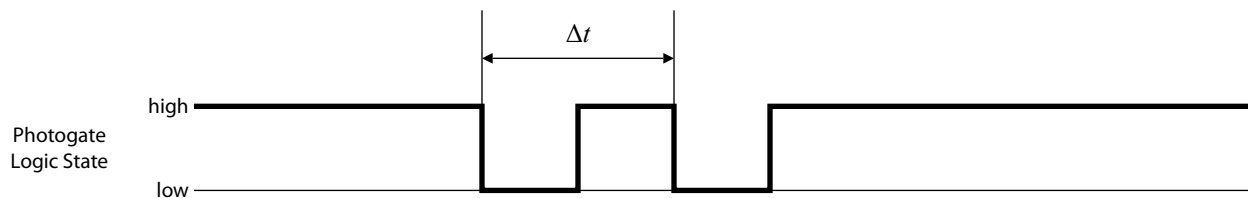


- Place one mass on the car.
- Attach the flag to the car.
- Tie an 80 cm length of thread to the car. Attach a mass hanger to the other end of the thread. Place the car on the track with the thread running over the pulley.
- Adjust the position of the pulley so that the thread is parallel to the track.
- Add enough mass to the hanger to make the car rest at equilibrium about 30 cm from the pulley.
- Build a photogate stand and attach a photogate as illustrated.



Sensor setup

You will use the photogate to measure the speed of the car. As the double-flag on the car passes through the photogate, the logic state of the photogate pulses low twice, as illustrated.



Connect the photogate to your computer interface (or other timing device). Set up the software to record and display the logic state as a function of time (see note 1 on page 65).

Pre-lab questions

Imagine that you do an amount of work (W) on the system to displace the car from the equilibrium position. Now imagine that you release the car and let the spring pull it back toward the equilibrium position. Assume that friction and the mass of the spring are negligible. In terms of W , the mass of the car (m_c) and the hanging mass (m_h), what will be the velocity (v) of the car as it passes through the equilibrium position? Explain your reasoning. Is it necessary to know the spring constant?

Procedure, part 1: work

1. Mark the equilibrium position of the car on the track with an erasable marker or pencil.
2. Add enough mass to the hanger to make the car move by about 2 cm. In a table, write down the additional mass and the displacement from the equilibrium position.
3. Increase the hanging mass again by the same amount. Write down the total added mass, and the displacement from the equilibrium position.
4. Repeat the previous step several times, until the car is near the end of the track.
5. Mark the final position of the car.
6. Remove all of the additional mass so that the car returns to the original equilibrium position that you marked in step 1.

Analysis, part 1: work

1. Make a graph of force (F) versus displacement (d), where F is the total weight added to the mass hanger (not including the original hanging weight when the car was at the original equilibrium position). Is the graph linear?
2. Find the area under the curve. This is the work that was done on the system to move the car from the original equilibrium position ($d_0 = 0$) to the final position (d_f).
3. In part 2 of this experiment, you will pull that car back to displacement d_f (this time with out adding any more mass to the hanger); then you will release the car. Using the data that you collected so far, predict the combined kinetic energy of the car and hanging mass as the car passes through the equilibrium position.

Procedure, part 2: kinetic energy

1. Make sure that the hanging mass has been returned to its original value so that the car comes to rest at the original equilibrium position.
2. Place the photogate over the flag of the car so that it will measure the speed of the car as it passes through the equilibrium position.
3. Pull back the car to the maximum displacement that you marked in part 1 of the experiment, and hold it there.
4. Start data collection.
5. Release the car and let the spring pull it back through the photogate once.

6. Stop data collection before the car returns through the photogate.

Analysis, part 2: kinetic energy

1. From the photogate data, find the velocity of the car as it passed through the equilibrium position.
2. What was the velocity of the hanging mass as the car passed through the photogate?
3. Calculate the kinetic energy of the car, the kinetic energy of the hanging mass, and the combined kinetic energy.
4. Compare the actual kinetic energy to your prediction from part 1. Was your prediction accurate?

Further study

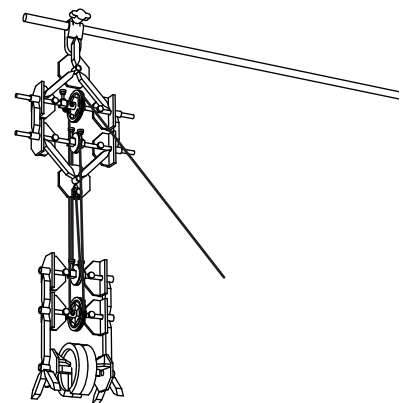
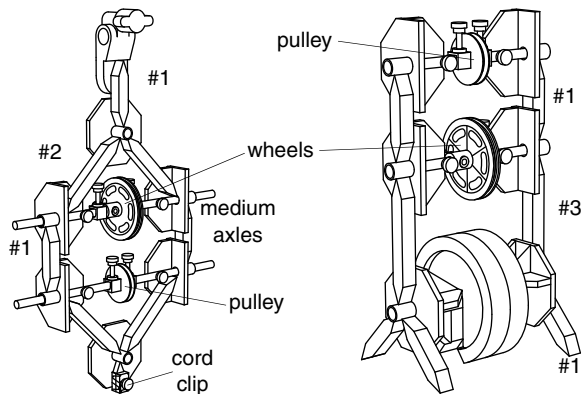
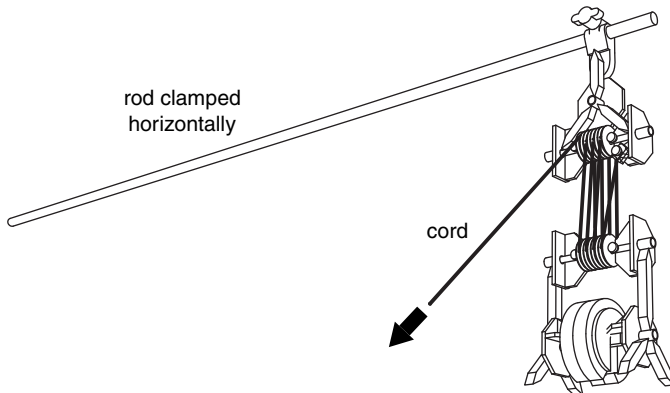
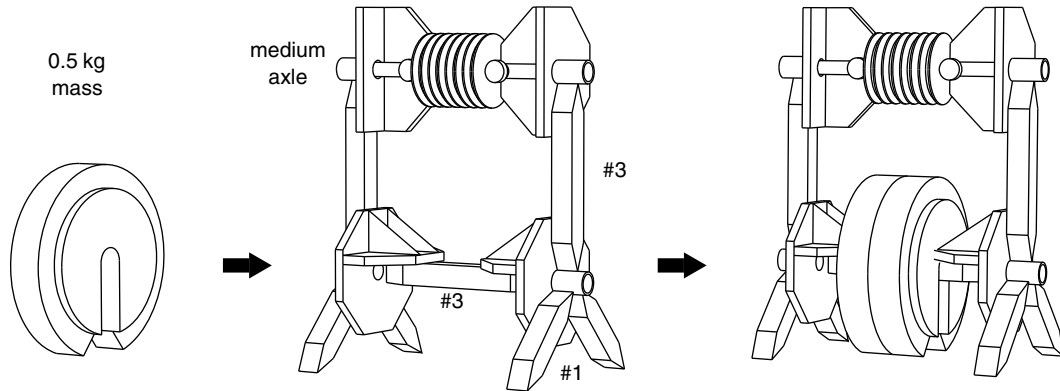
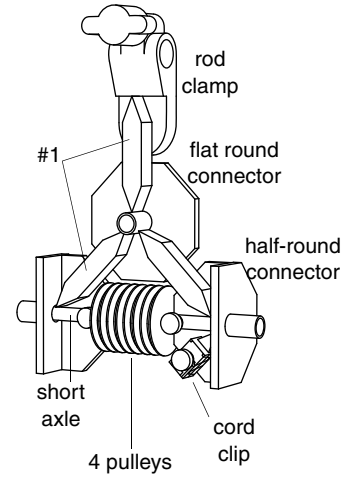
- Repeat the experiment with more mass added to the car (but with the same spring, and the same maximum displacement). Do you expect the velocity of the car to be higher or lower? Do you expect the kinetic energy to change?
- Repeat the experiment with the track inclined. Do you expect the velocity of the car to change? Do you expect the kinetic energy to change?
- Repeat the experiment with rubber elastic cord (such as PASCO part ME-8986) instead of the spring. You may find that the F versus d graph in part 1 is not linear. Will it be possible to find the work done and predict the velocity?
- Repeat the experiment with the photogate placed over the spokes of the pulley, so that you can make several measurements of velocity as the car moves along the track. Where does the maximum velocity occur?

Other experiments

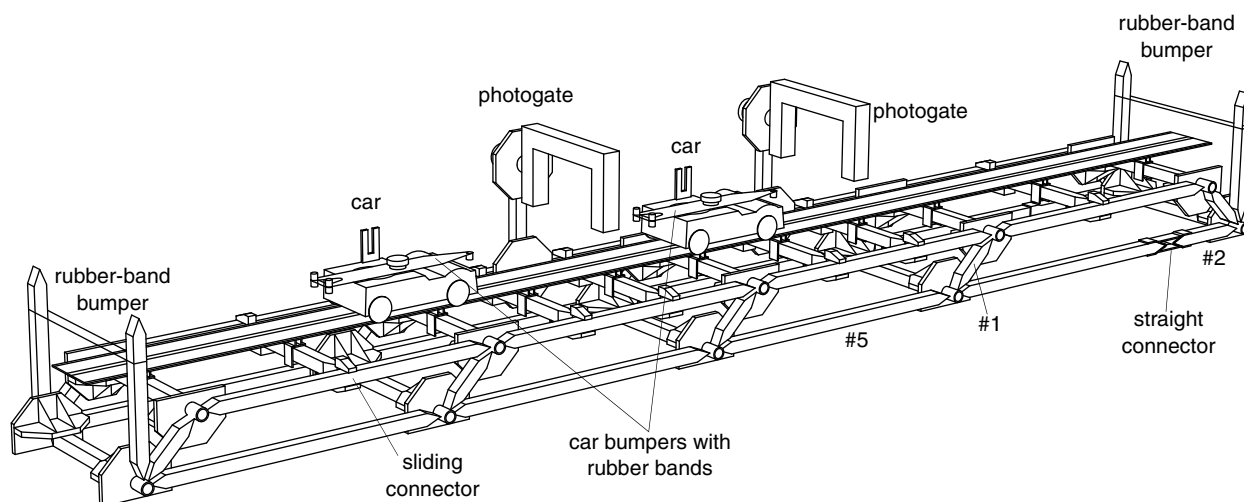
Pulleys

Build pairs of pulley blocks as illustrated to demonstrate mechanical advantage. Use a load cell to measure the force needed to lift the weight. Use a rotary motion sensor (as in Experiment 4) to measure the distance that you pull the free end of the cord. Find the area under the force versus distance graph to determine the work done on the system.

Compare the force, distance of pull, and work needed to raise the weight to a given height with various numbers of pulley wheels.

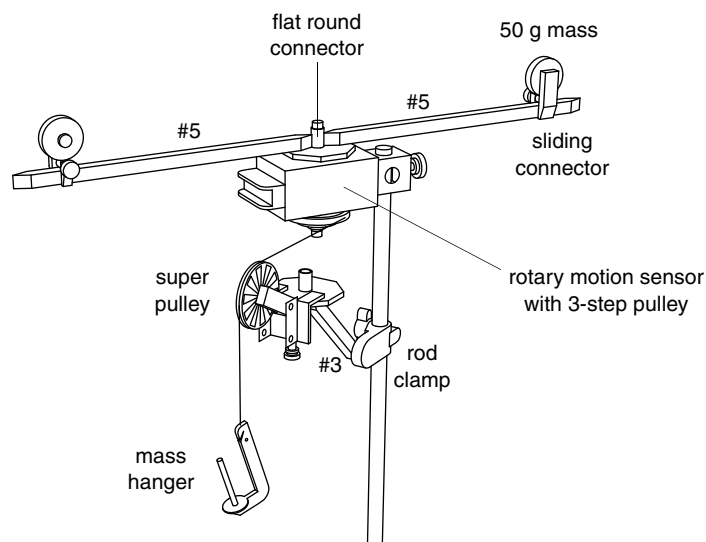


Conservation of momentum



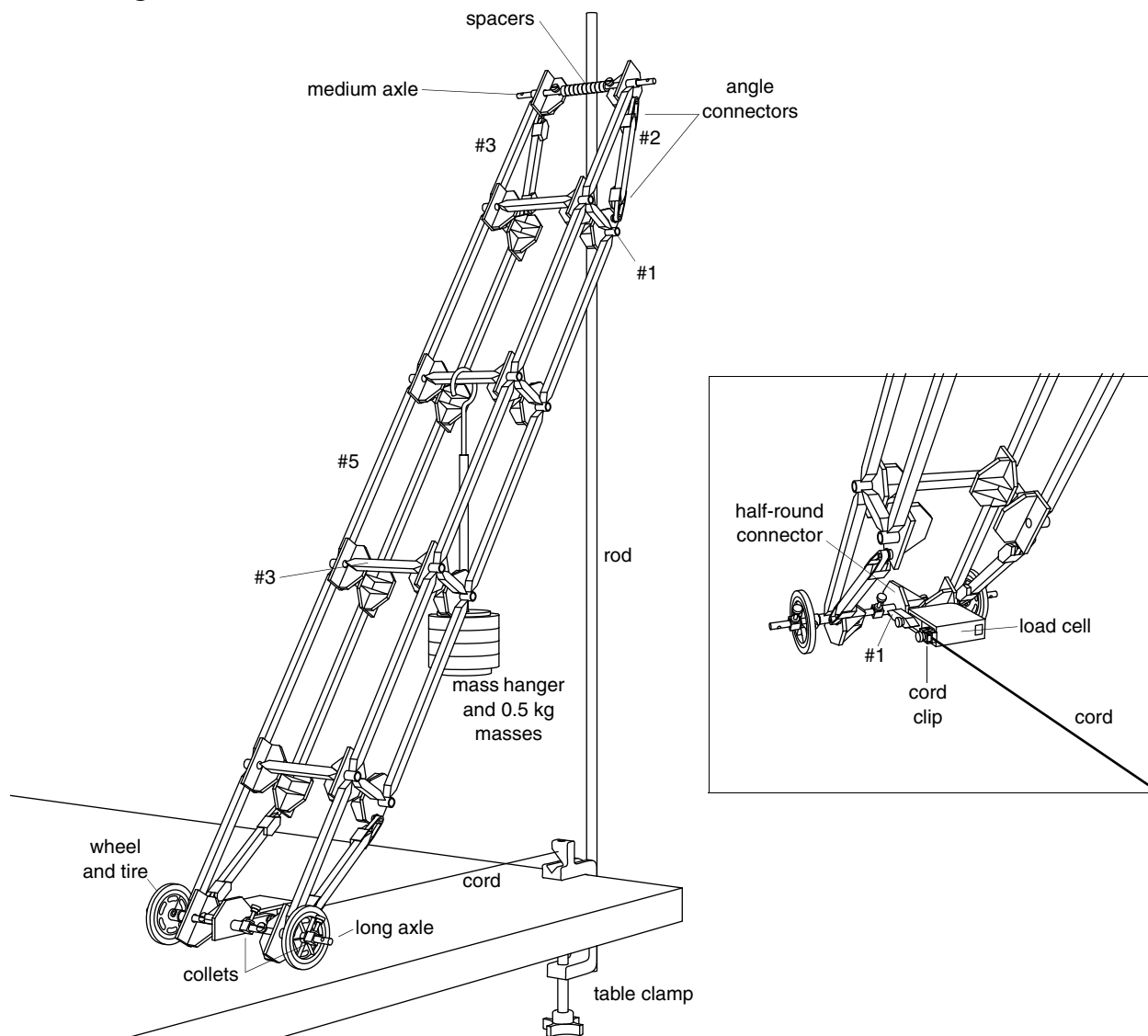
Build a track as illustrated with bumpers at each end and two photogates. Use two carts with collision brackets attached. Measure the momentum and energy of each car before and after various types of collisions. Use a rubber band on the collision bracket for elastic collisions, or a piece of clay for inelastic collisions.

Rotation



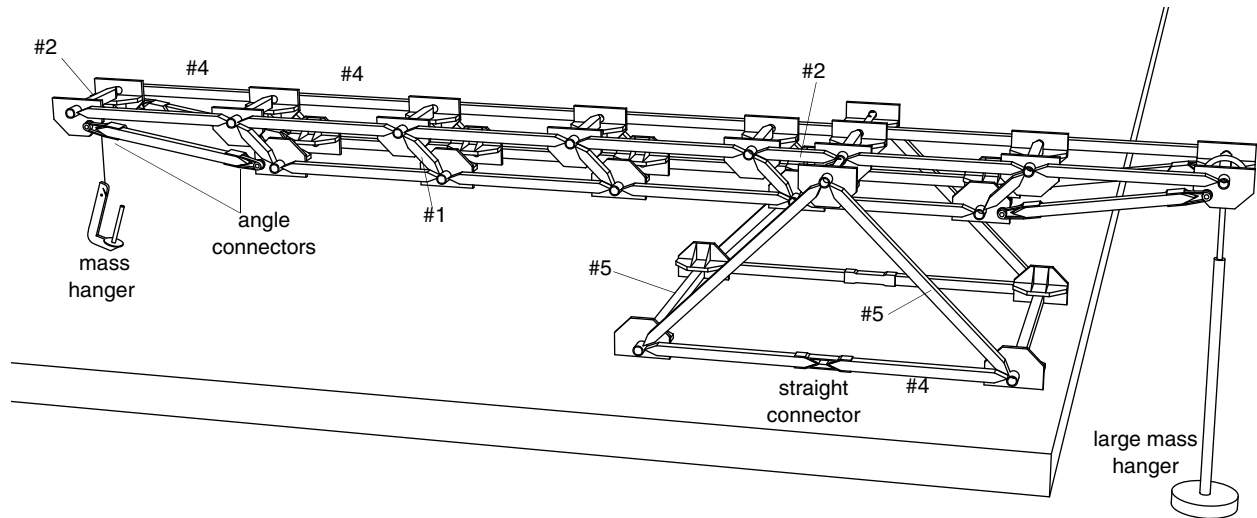
The hanging weight applies a known torque. Measure the angular acceleration to find the rotational inertia. To account for friction, find the amount of hanging mass that results in constant angular velocity. Slide the masses on the beams to change the rotational inertia. Build more complicated rotating structures to demonstrate the parallel axis theorem.

Ladder against a wall



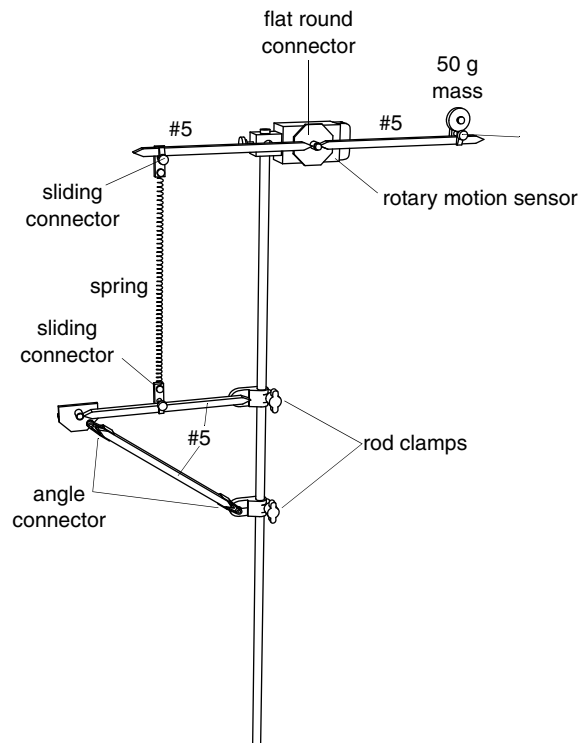
The load cell measures the horizontal force applied to the base of the ladder. For a real ladder, this would be the frictional force needed to keep the ladder from slipping. Measure this force for various weights, rung positions, and angles.

Torque balance



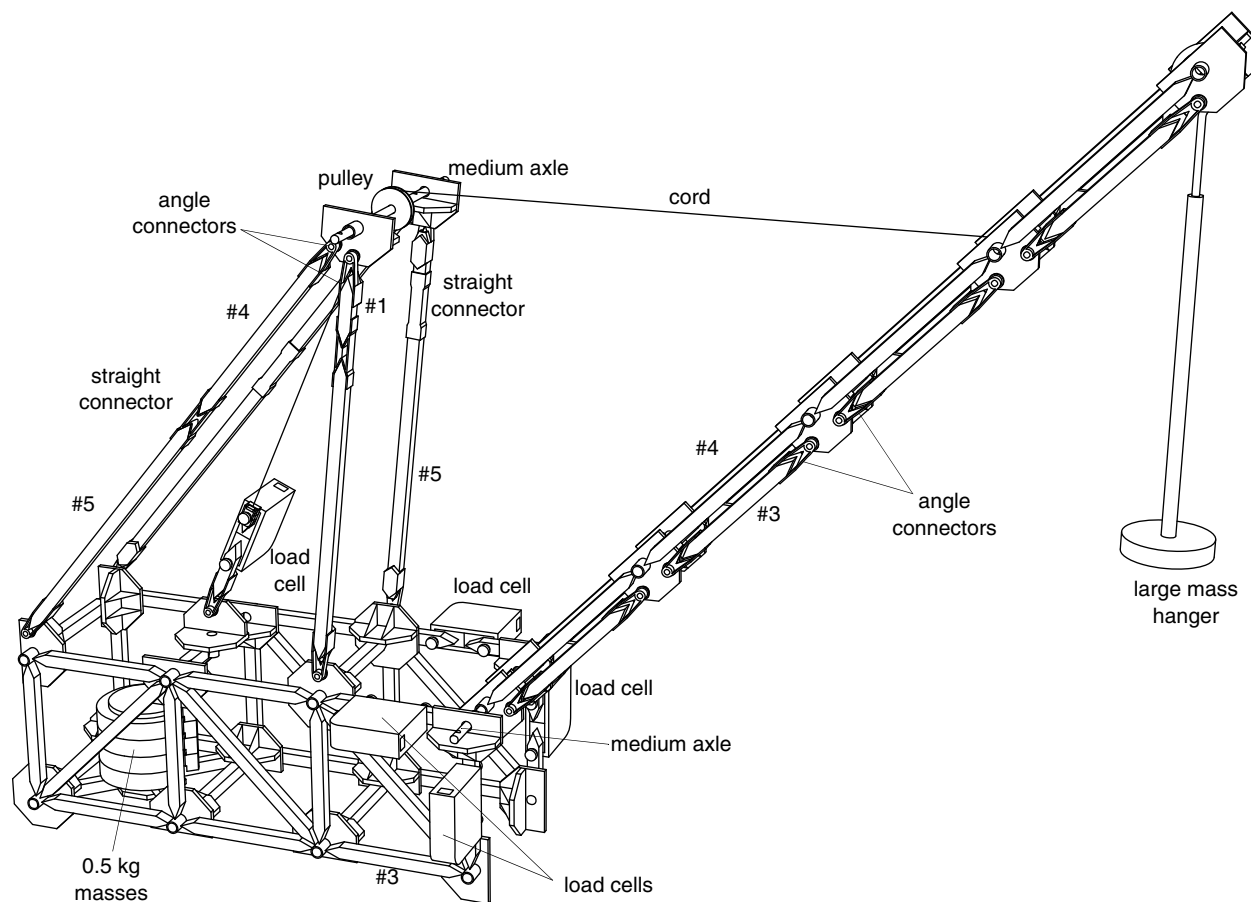
Build the pivoting part of the structure and find its mass and center of mass before mounting it on the base and attaching the hanging masses. Add mass to either the large mass hanger or the small mass hanger to balance the structure. Calculate the torque applied to the structure by each mass hanger and the axle relative to the structure's center of mass. Do they add up to zero?

Oscillating system



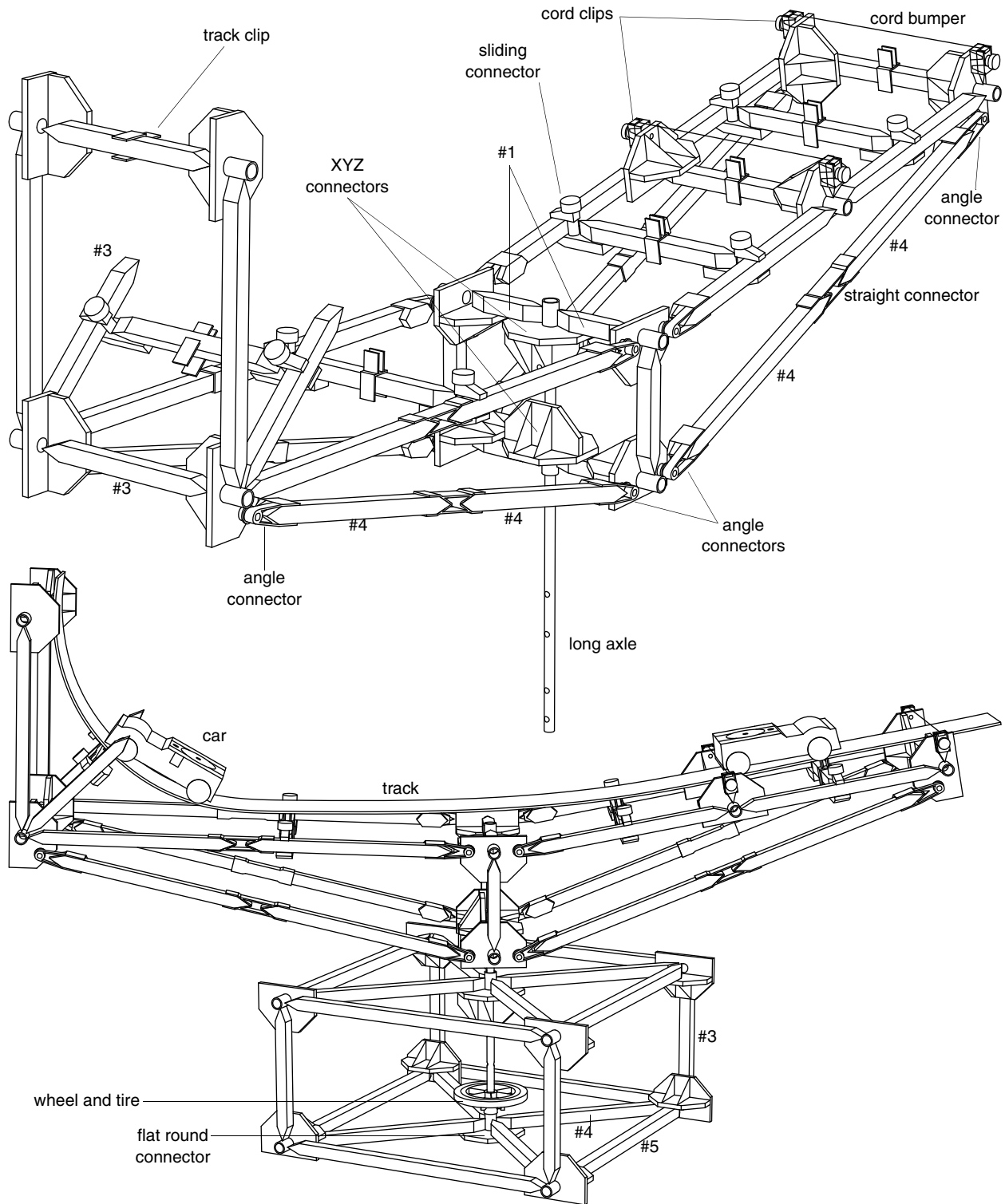
Measure the period of oscillation with the spring attached at various positions. Is there a minimum or maximum?

Forces on a boom



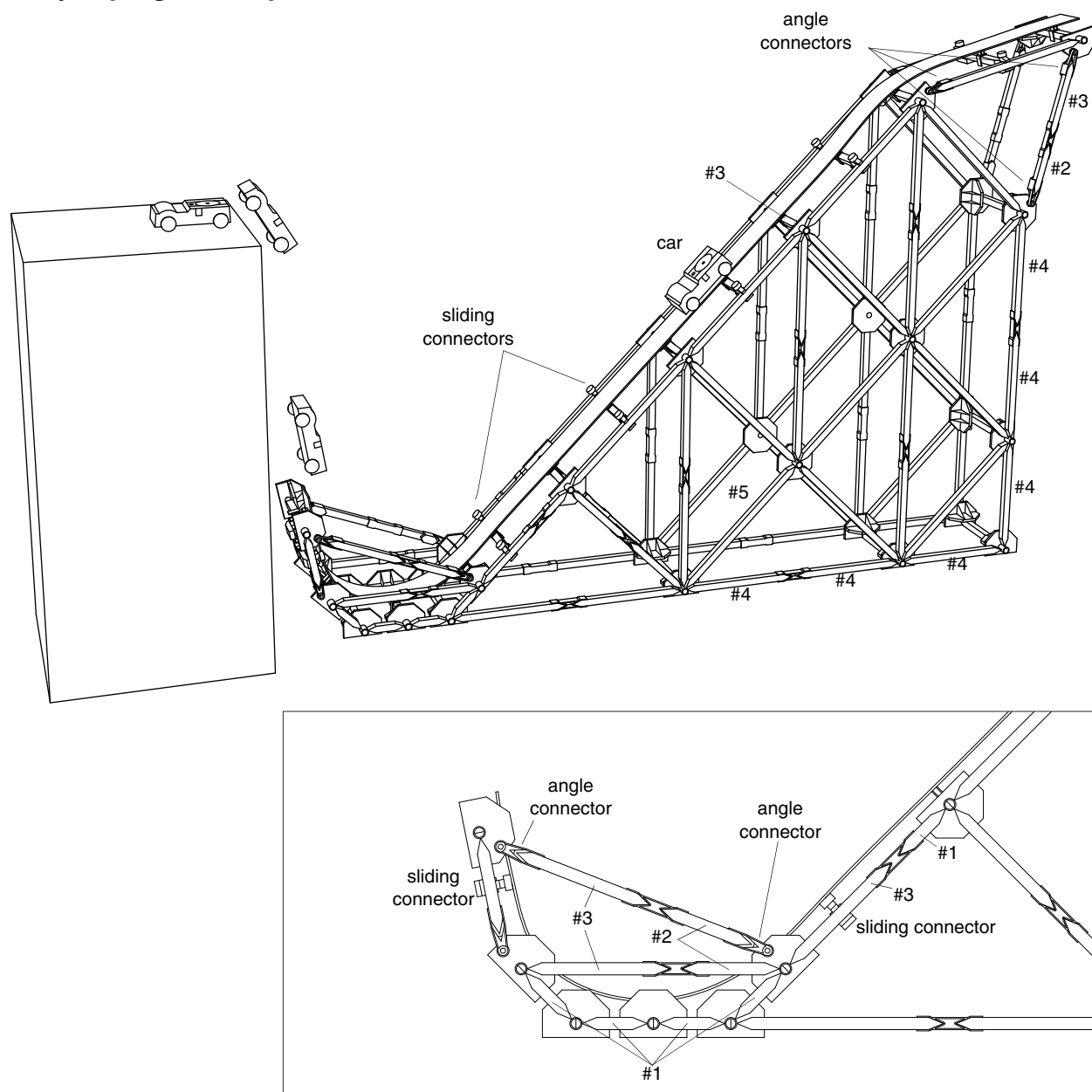
Use five load cells and a six-channel load cell amplifier (PASCO part PS-2198) or three dual channel amplifiers (PS-2205) to measure the forces exerted on the boom. Four of the load cells measure the x and y components of force applied to the base of the boom; the fifth load cell measures the tension of the cord. Measure the forces for various weights, angles, boom lengths, and cord attachment points.

Centripetal force on curved and inclined tracks



Turn the wheel attached to the axle to spin the track. Predict how the cars on either side of the track will behave as the rotational velocity changes.

Car jumping onto a platform



Build a track that will launch the car onto a platform such as a chair or a low table. In the example illustrated, the object is about 60 cm tall. The challenge is to make the car land on the platform with the smallest possible impact. Adjust the angle of the end of the track, the starting position of the car, and the position of the track to achieve this.

Appendix: DataStudio set-up notes

Some of the experiments in this manual refer to these set-up notes to help you connect and configure sensors and measurements in DataStudio version 1.x.

Note 1: Logic state of a photogate

1. Start DataStudio and select **Create Experiment**.
2. Connect a Digital Adapter to your PASPORT interface.
3. Plug the photogate into one of the ports of the Digital Adapter. The Choose Sensor or Instrument window appears in DataStudio.
4. In the Choose Sensor or Instrument window, select **Digital Input**. A graph automatically appears set up to display logic state data.
5. Double click the **Table** icon if you would like to see logic state data in a table.

Repeat steps 3 through 5 to add a second photogate.

Note 2: Velocity measured by a super pulley

1. Set up photogate so that it will be interrupted by the spokes of the pulley as described in the experiment instructions.
2. Start DataStudio and select **Create Experiment**.
3. Connect a Digital Adapter to your PASPORT interface.
4. Plug the photogate into one of the ports of the Digital Adapter. The Choose Sensor or Instrument window appears in DataStudio.
5. In the Choose Sensor or Instrument window, select **Smart Pulley (Linear)**. A graph automatically appears set up to display position, velocity, and acceleration.
6. Double click the **Graph** icon and select **Velocity** if you would like to see velocity alone in a graph.

Note 3: Linear position, velocity, and acceleration measured by a Rotary Motion Sensor

1. Start DataStudio and select **Create Experiment**.
2. Connect a Rotary Motion Sensor to your PASPORT interface.
3. Click the **Setup** button to open the Experiment Setup window.
4. In the Experiment Setup window, under the **Measurements** tab, select the check boxes next to **Linear Position**, **Linear Velocity**, and **Linear Acceleration**. Clear the check boxes next to all other measurements.
5. Click the **Rotary Motion Sensor** tab.
6. Under **Linear Scale**, select the size of the pulley that you are using.
7. Double click the **Graph** icon and select one of the measurements to display.

8. If you would like to display other measurements in the same graph, drag those measurements from the measurement list on the left side of the screen to the graph window.

Note 4: Angular velocity measured by a Rotary Motion Sensor

1. Start DataStudio and select **Create Experiment**.
2. Connect a Rotary Motion Sensor to your PASPORT interface.
3. Click the **Setup** button to open the Experiment Setup window.
4. In the Experiment Setup window, under the **Measurements** tab, select the check boxes next to **Angular Velocity**. Clear the check boxes next to all other measurements.
5. Double click the **Graph** icon and select **Angular Velocity** to display it.

Note 5: Force measured by a load cell

1. Start DataStudio and select **Create Experiment**.
2. Connect a load cell amplifier to your PASPORT interface.
3. Plug the load cell into one of the ports of the load cell amplifier.
4. Double click the **Graph** icon and select **Force 1** or **Force 2** (depending on the port where the load cell is connected) to display it in a graph.

Repeat steps 3 and 4 to add another load cell.

Note 6: FFT of force measured by a load cell

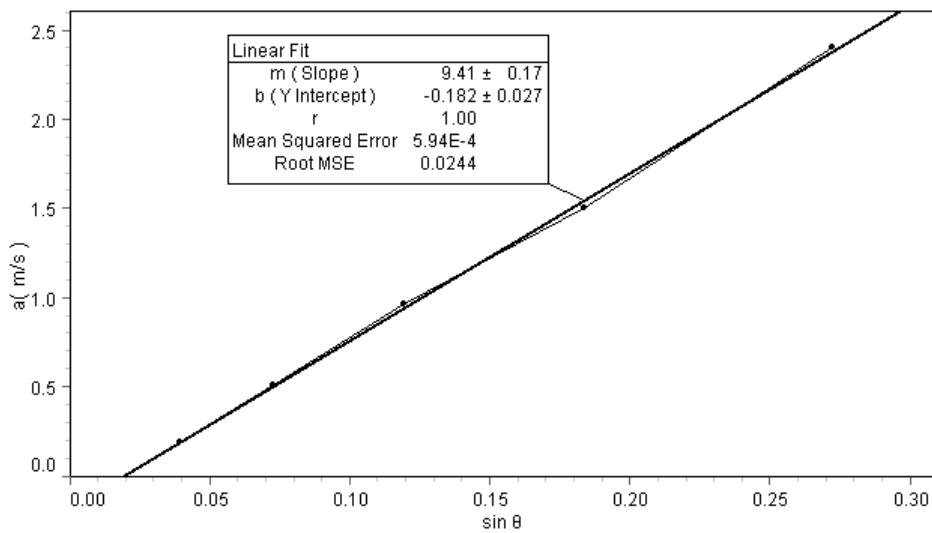
1. Start DataStudio and select **Create Experiment**.
2. Connect a load cell amplifier to your PASPORT interface.
3. Plug the load cell into one of the ports of the load cell amplifier.
4. Double click the FFT icon and select **Force 1** or **Force 2** (depending on the port where the load cell is connected).

Teachers' notes and sample data

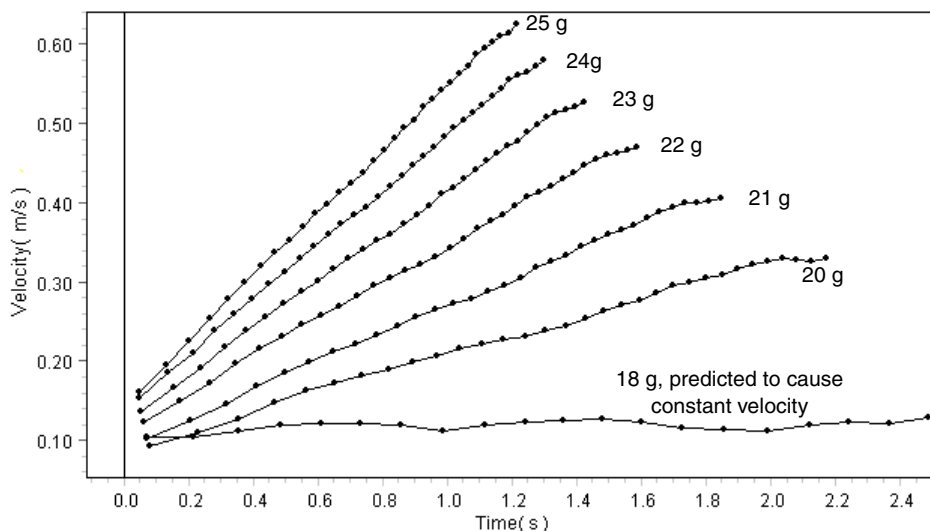
Experiment 1: Acceleration on an inclined plane

θ	θ (rad)	Δt_1 (s)	Δt_2 (s)	v_1 (m/s)	v_2 (m/s)	Δv (m/s)	Δt_3 (s)	a (m/s ²)
2.3°	0.040	0.0243	0.0195	0.411	0.513	0.102	0.550	0.19
4.2°	0.073	0.0185	0.0135	0.539	0.743	0.204	0.399	0.51
6.9°	0.119	0.0149	0.0103	0.672	0.971	0.298	0.313	0.96
10.6°	0.184	0.0121	0.0083	0.829	1.212	0.383	0.251	1.5
15.8°	0.272	0.0101	0.0067	0.993	1.491	0.498	0.207	2.4

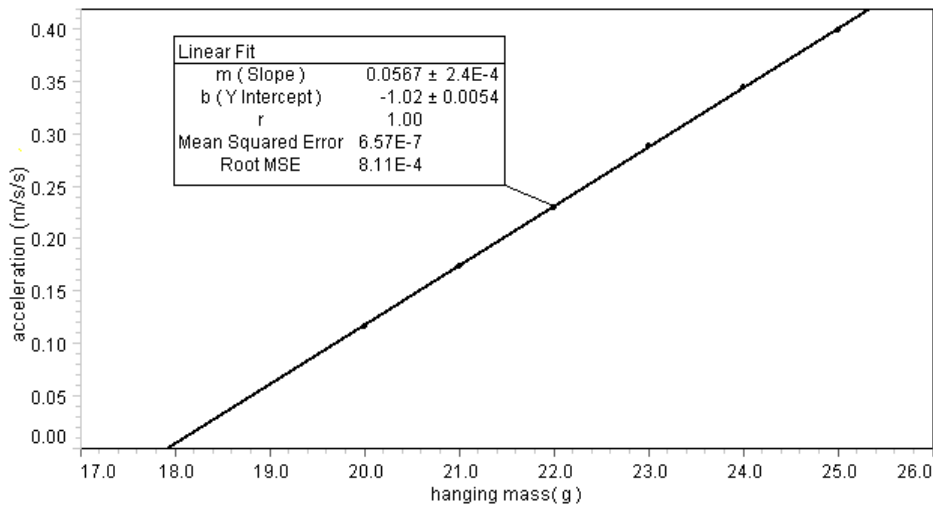
Theory: $a = g \sin \theta$



Experiment 2: Newton's second law



Hanging mass, m_h (g)	slope or acceleration (m/s^2)
20	0.116
21	0.174
22	0.230
23	0.288
24	0.344
25	0.399



Experiment 3: Projectile motion

Results will vary based on the angle of the last section of track and the point from which students choose to release the car.

Trial	Δt (ms)	v (m/s)
1	3.282	3.047
2	3.282	3.047
3	3.278	3.051
4	3.278	3.051
5	3.228	3.098
6	3.272	3.056
7	3.260	3.067
8	3.226	3.100
9	3.270	3.058
Average:		3.06 ± 0.02 m/s (7%)

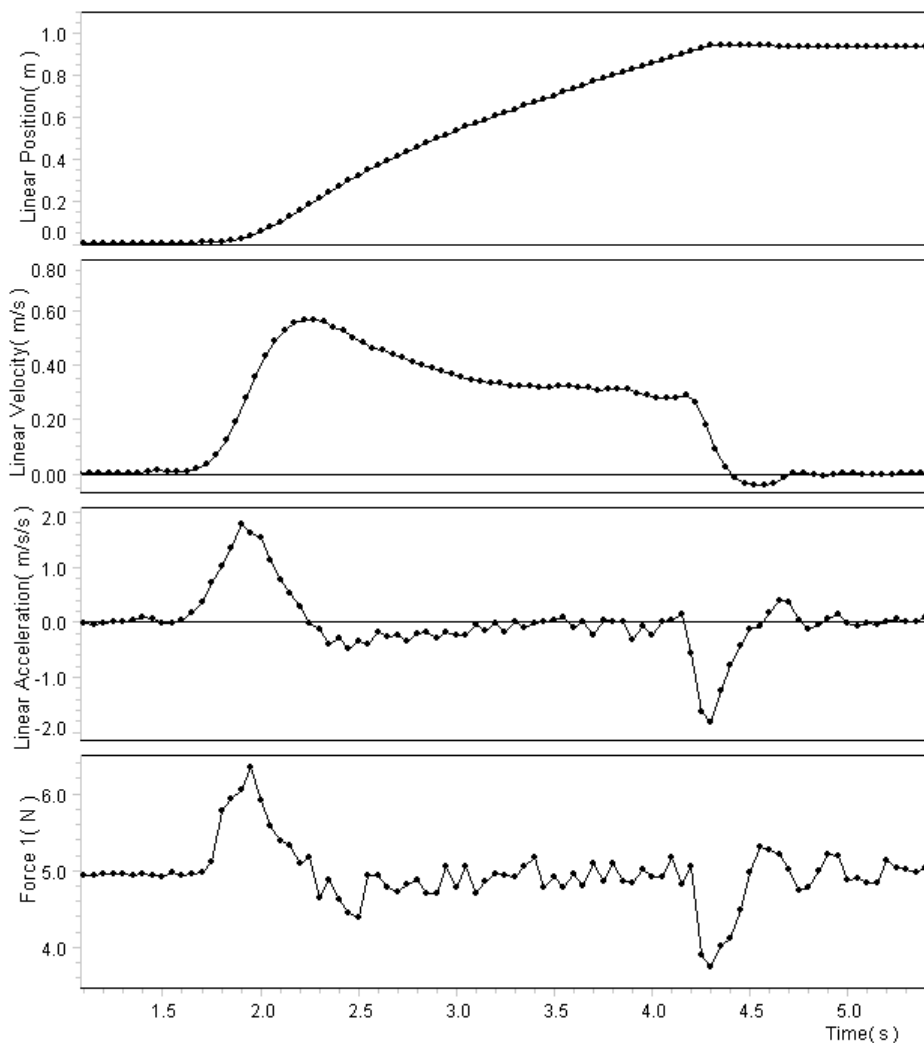
$$\theta = 0.49 \text{ radians}$$

$$y_0 = 0.178 \text{ m}$$

$$d = v_0 \cos \theta [v_0 \sin \theta + \sqrt{(v_0 \sin \theta)^2 + 2y_0 g}] / g$$

$$d = 1.1 \text{ m, predicted distance}$$

Experiment 4: Forces in an Elevator

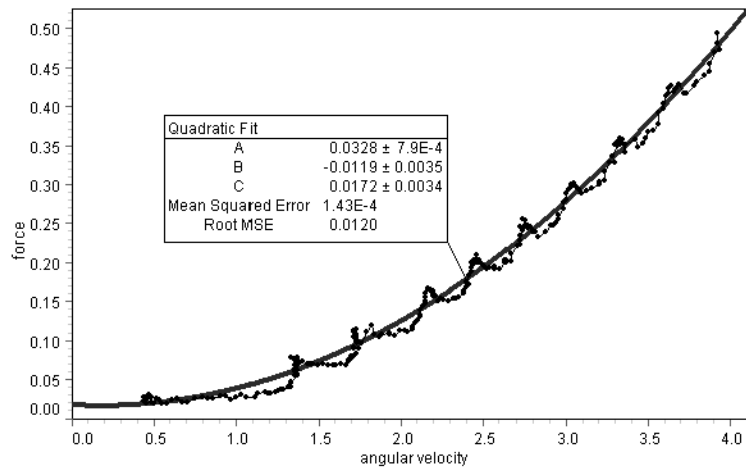


Experiment 5: Roller Coaster

Results will vary based on the shape of the track and the points from which students release the car.

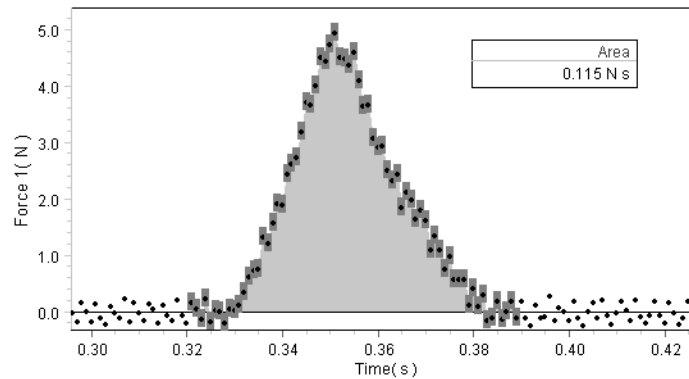
Trial	Δt (s)	v (m/s)	
1	0.004062	2.462	Released from top of ramp
2	0.004224	2.367	
3	0.0046	2.174	
4	0.005234	1.911	
5	0.005862	1.706	
6	0.00701	1.427	
7	0.009074	1.102	Lowest speed possible

Experiment 6: Centripetal force



The quadratic fit shows that centripetal force is proportional to the square of angular velocity.

Experiment 7: Impulse and momentum



From the area under the graph, impulse is 0.115 N s (or 0.115 kg m/s)

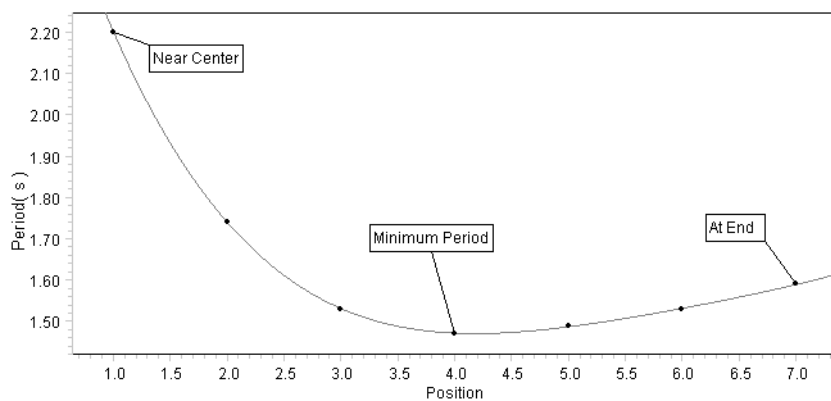
From the photogate data: $v_1 = 1.242$ m/s, $v_2 = -0.929$ m/s

$$\Delta v = 2.171 \text{ m/s}$$

$$m = 0.05176 \text{ kg}$$

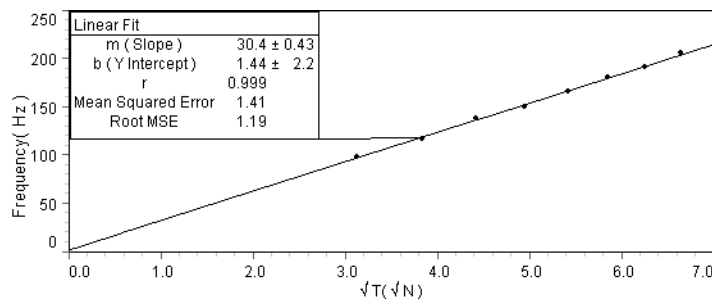
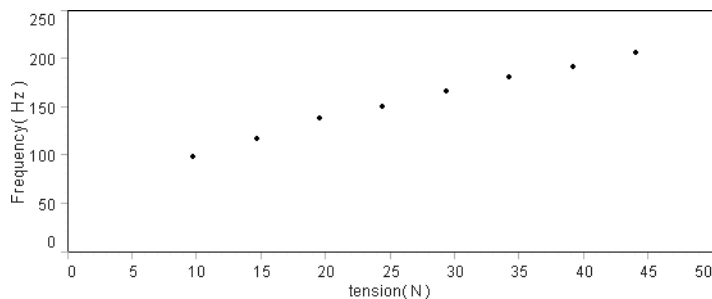
$$\Delta p = m\Delta v = 0.1124 \text{ kg m/s}$$

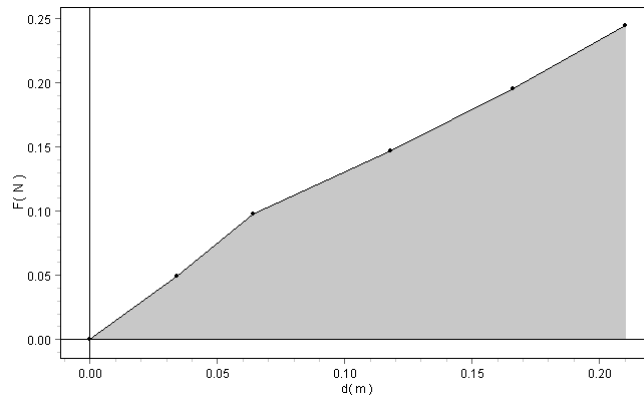
Experiment 8: Physical Pendulum



Experiment 9: Resonance

Hanging Mass (kg)	Tension (n)	Frequency (Hz)
1.0	9.8	98
1.5	14.7	117
2.0	19.6	137
2.5	24.5	150
3.0	29.4	166
3.5	34.3	180
4.0	39.2	191
4.5	44.1	205



Experiment 10: Work and energy**Part 1: work**

From the area under the curve, $W = 0.025$ J

Part 2: kinetic energy

$$\Delta t = 0.016396 \text{ s}$$

$$v = 0.60990 \text{ m/s}$$

$$m_c = 0.08842 \text{ kg}$$

$$m_h = 0.03491 \text{ kg}$$

$$\text{total kinetic energy, } K = \frac{1}{2}(m_c + m_h)v^2 = 0.02694 \text{ J}$$

Technical Support

For assistance with any PASCO product, contact PASCO at:

Address: PASCO scientific
10101 Foothills Blvd.
Roseville, CA 95747-7100

Phone: 916-786-3800 (worldwide)
800-772-8700 (in the U.S.)

Fax: (916) 786-7565

Web: www.pasco.com

Email: support@pasco.com

Limited Warranty

For a description of the product warranty, see the PASCO catalog.

Copyright

The PASCO scientific 012-10658A *Physics Structures Set Instruction Manual* is copyrighted with all rights reserved. Permission is granted to non-profit educational institutions for reproduction of any part of this manual, providing the reproductions are used only in their laboratories and classrooms, and are not sold for profit. Reproduction under any other circumstances, without the written consent of PASCO scientific, is prohibited.

Trademarks

PASCO, PASCO scientific, DataStudio, and PASPORT are trademarks or registered trademarks of PASCO scientific, in the United States and/or in other countries. All other brands, products, or service names are or may be trademarks or service marks of, and are used to identify, products or services of, their respective owners. For more information visit www.pasco.com/legal.